

3005000025

## HSB-03

Analog telephone, weatherproof

 IP66



### DESCRIPTION

- Multi-purpose Telephone
- Delivered for bulkhead mounting
- Socket with dust-cap for connection of headset or microphone
- To be used together with:
  - Headset type P-MT7 and parallel alarm bell type HB-90 or HB-105
- DTMF dialing
- Potential free alarm contact for external alarm system, max 50mA
- External relay units as IRR-3 and CRB-7A can be used for activating of extra alarm units.
- In noisy environment it can be necessary to use an extra amplifier to increase the sound level in the headset

### SPECIFICATIONS

#### GENERAL

Ringin voltage:	45-110 V, 25-50 Hz
Power for AddOn Amplifier	24V DC. HSB-03 will not be operating without 24V DC when AddOn Amplifier is mounted.
Temp. range	-20 C / +50 C
Connections	Screw terminals
Cable Inlet	2x PG-13.5
Colour	Grey
IP class	IP-66
Dimensions (MM)	124W x 224H x 63D

Created: 25.07.2014, updated: 18.11.2020

page 1/2

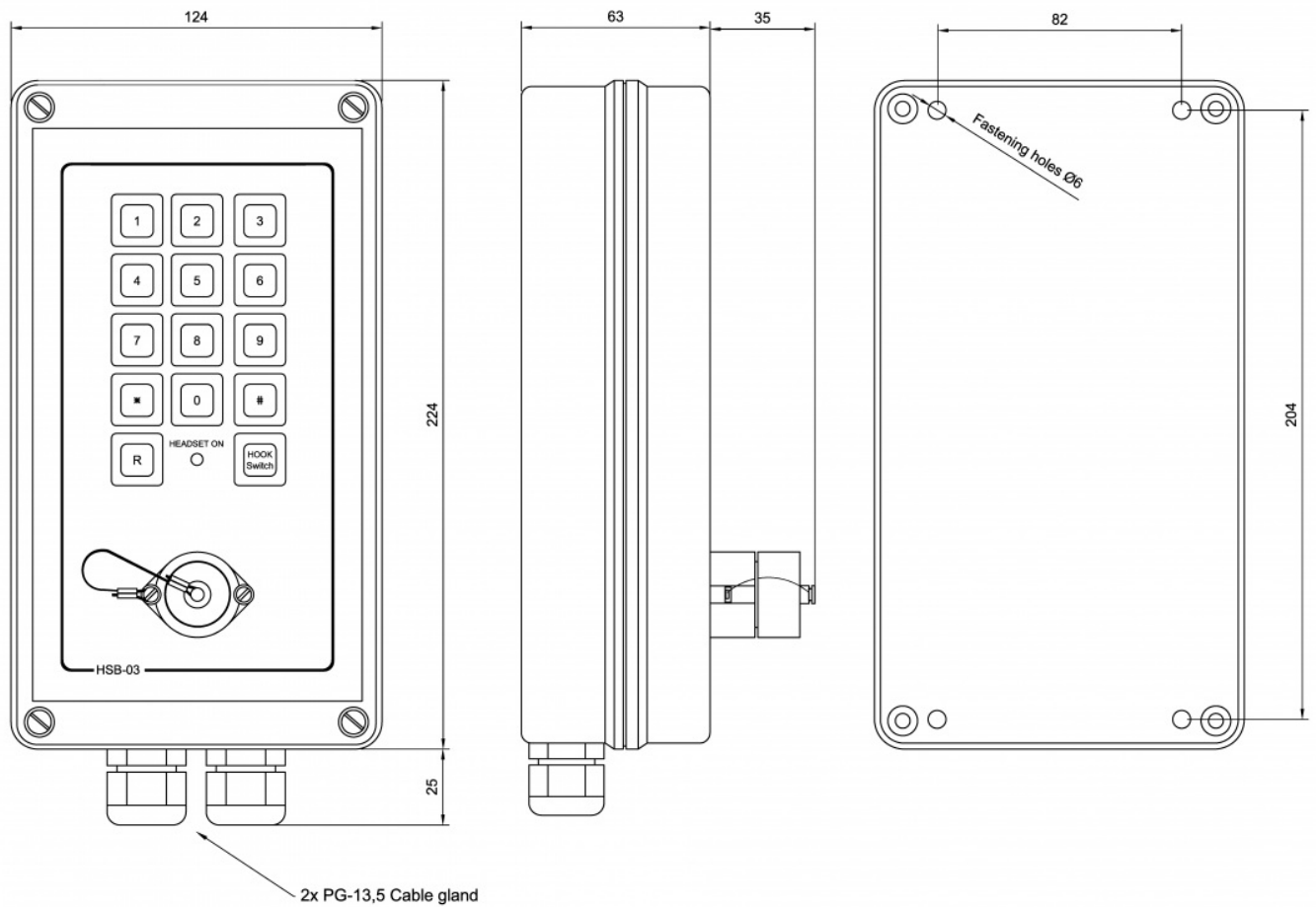
[www.zenitel.com](http://www.zenitel.com)

[info@zenitel.com](mailto:info@zenitel.com)

Zenitel and its subsidiaries assume no responsibility for any errors that may appear in this publication, or for damages arising from the information therein. Zenitel products are developed and marketed by Zenitel. The company's Quality Assurance System is certified to meet the requirements in NS-EN ISO 9001. Zenitel reserves the right to modify designs and alter specifications without notice.

ZENITEL PROPRIETARY. This document and its supplementing elements, contain Zenitel or third party information which is proprietary and confidential. Any disclosure, copying, distribution or use is prohibited, if not otherwise explicitly agreed in writing with Zenitel. Any authorized reproduction, in part or in whole, must include this legend; Zenitel - All rights reserved.

## TECHNICAL DIMENSIONS



## ACCESSORIES



**P-MT7**

Item Number: 3005020050



**HAS-3**

Item Number: 3005000022



**HAS-3WT**

Item Number: 3005000023



**CRB-7**

Item Number: 3006102026