


1023253008

## EBMDR-8

Exigo Button Expansion Module, 8 Buttons



 ICX-AlphaCom

 Exigo

 EN54-16 Certified

 UL Certified Intercom

### DESCRIPTION

- Button expansion module for ECPIR-x
- Powered from ECPIR-x
- Eight programmable buttons with individual labels and status indicators
- Optional button protection covers
- Four units can be connected to one access panel

The EBMDR-8 button expansion module is developed for expanding the button capacity of the ECPIR-x access panels or intercom. Each button features eight fully programmable buttons that can be used to manually initiate alarms, select zones, or any other action in the Exigo system.

Each of the module's buttons features two independent indicators that show the status of the button's function. Up to four EBMDR-8 button expansion modules can be daisy chained to one console panel.

# SPECIFICATIONS

## MECHANICAL

Dimensions (HxWxD):	144 x 96 x 41.5 mm
Weight:	500 g
Storage temperature:	-40°C to +70°C
Storage humidity:	10% to 95% (non-condensing)
Air pressure:	600 hPa to 1300 hPa
IP rating:	IP-32

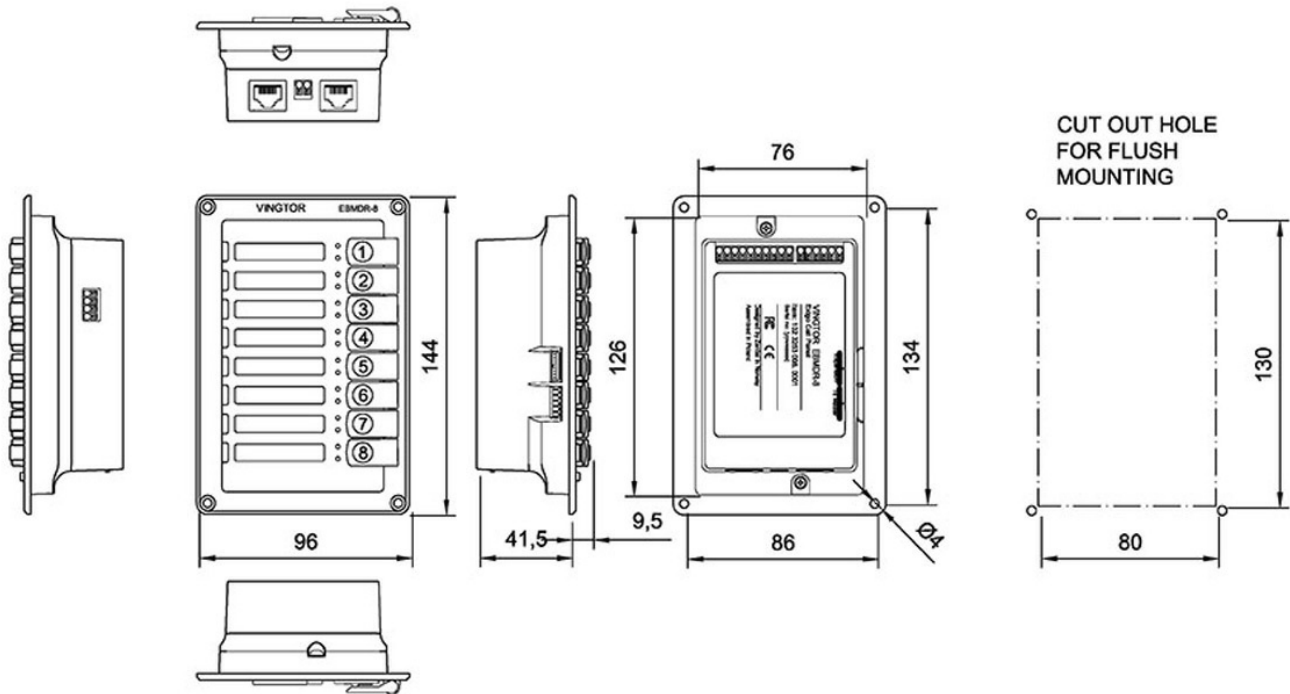
## ENVIRONMENTAL

Operating temperature:	-10°C to +60 °C
Operating humidity:	10% to 95% (non-condensing)

## CERTIFICATIONS

Immunity:	EN 60945, EN 50130-4, EN 61000-6-1, EN 61000-6-2, EN 55103-2, FCC-47 part 15B
Emissions:	EN 60945, EN 50130-4, EN 61000-6-3, EN 61000-6-4, EN 55103-1, FCC-47 part 15B
Safety:	UL 60950-1, cUL 60950-1, CB to IEC 60950-1

# TECHNICAL DIMENSIONS



## ACCESSORIES



**EMBR-1**

Item Number: 1023595010



**EMBR-2**

Item Number: 1023595020

## USED WITH



**1023200033**

**ECPIR-3P**

Exigo Access Panel / Turbine Intercom



**1023200030**

**ECPIR-P**

Exigo Call Panel, PTT Button



**1023201008**

**EAPIR-8**

EXIGO Alarm Panel, 8 buttons