

# R15L600-MRM2

## 15" Marine Display



### KEY FEATURES

- Dimming knob control backlight brightness from nearly 0% to 100%
- Marine Display with High resolution 1024 x 768 panel
- IP66 aluminum housing with powder coating design (IP54 rear)
- 24V DC to DC power input acceptable (Isolation Resistance)
- High quality touchscreen / AR protection glass for option
- PIP(picture in picture) function and multi-video inputs
- Ease of use front panel OSD control
- Enhanced shock and vibration resistance

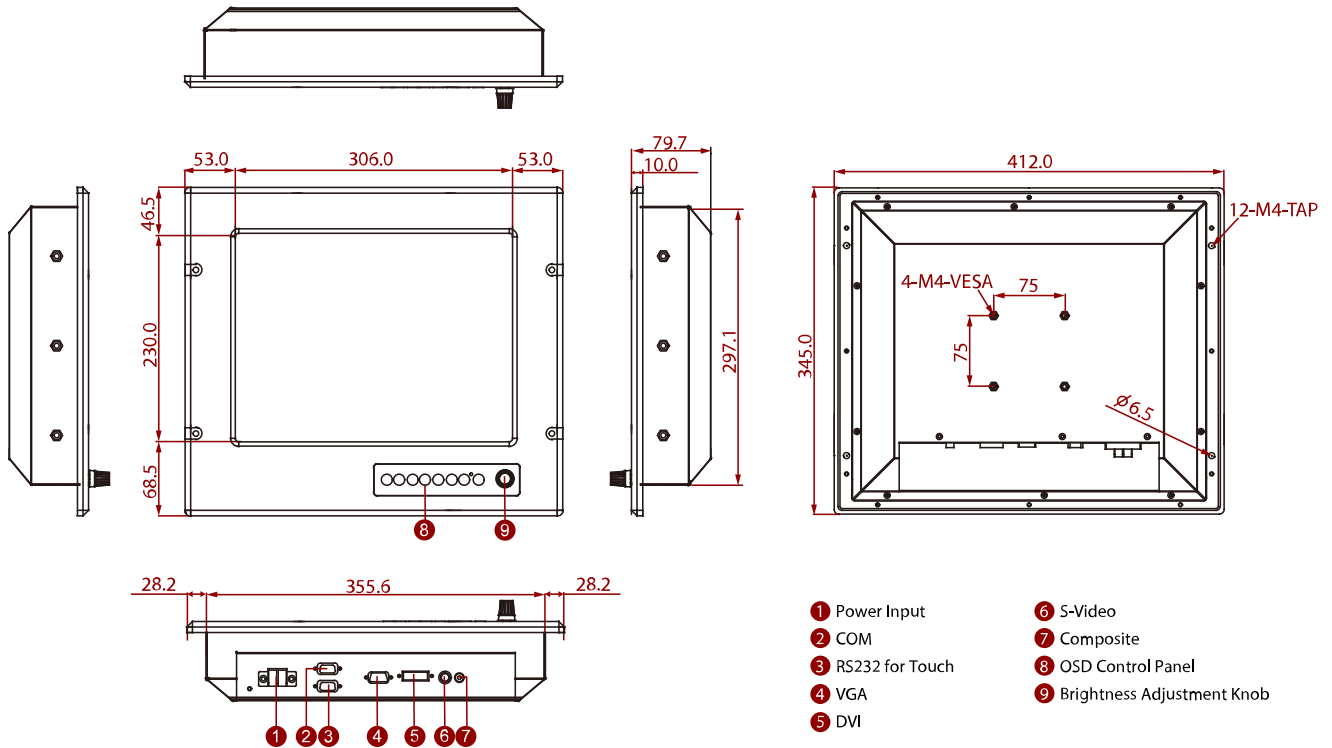


### SPECIFICATIONS

Display	
<b>Resolution</b>	1024x768
<b>Contrast Ratio</b>	2500:1
<b>Display Color</b>	16.7M Colors
<b>Active Area</b>	304.1x228.1 mm
<b>Size</b>	15 inches
<b>Panel Brightness</b>	500 nits
<b>View Angles</b>	88,88,88,88
<b>Touch / Glass</b>	Resistive Touch Screen AR Glass (Optional)
Environment	
<b>Operating Humidity</b>	5% to 95%
<b>Shock</b>	15G,11ms duration
<b>IP rating</b>	IP66 (Front Side)
<b>Operating Temperature</b>	-15~55°C
<b>Vibration</b>	0.7g@DNVGL CG-0339 (Class A)
Certification	
<b>Certification</b>	DNVGL-CG-0339, IEC60945 4th, IACS E10, CE, FCC
IO Ports	
<b>Serial Port</b>	1 x RS232 for Remote Control 1 x RS232/USB for Touch Screen
<b>Video</b>	1 x VGA 1 x DVI-D 1 x Composite 1 x S-Video
Mechanical	
<b>Dimension</b>	412 x 345 x 79.7 mm
<b>Enclosure</b>	Metal Housing with Aluminum Bezel
<b>Cut out</b>	338 x 288mm
<b>Mounting</b>	VESA Mount/ Panel Mount
<b>Cooling System</b>	Fanless Design
Power	
<b>Power Rating</b>	24V DC-in with Isolation (Approval by Certificate) 9~36V DC Input Acceptable
Accessory	
<b>Accessory</b>	1 x User Manual. 1 x CD for Touchscreen Driver Tools. 1 x DVI Cable. 1 x VGA Cable. 1 x RS232 Serial Cable. 1 x S-Video Cable. 1 x Composite Cable.

## DIMENSIONS UNIT:MM

### Winmate R15L600-MRM2



## NOTE

1. This is a simplified drawing and some components are not marked in detail.
2. Please contact our sales representative if you need further product information.
3. All specifications are subject to change without prior notice.
4. The product shown in this datasheet is a standard model. For diagrams that contain customized or optional I/O, please contact the Winmate Sales Team for more information.