

# R12L600-MRM2

## 12.1" Marine Display



### KEY FEATURES

- 12.1" 1024 x 768 resolution
- Resistive touch screen (Optional protection glass w/o touch function)
- IP66 aluminum housing with powder coating design (IP54 rear)
- 9 to 36 V DC power supply with terminal block (Default)
- Picture-in-picture (PIP) function and multi-video inputs
- Ease-of-use front panel OSD control
- Enhanced shock and vibration resistance
- Certified DNVGL-CG-0339, IEC60945 4th, IACS E10
- Dimming knob to control backlight brightness from nearly 0% to 100%



### SPECIFICATIONS

Display	
<b>Resolution</b>	1024x768
<b>Contrast Ratio</b>	1000:1
<b>Display Color</b>	16.2M Colors
<b>Active Area</b>	245.76 x 184.32 mm
<b>Size</b>	12.1 inches
<b>Panel Brightness</b>	500 nits
<b>View Angles</b>	89,89,89,89
<b>Touch / Glass</b>	Resistive Touch Screen AR Glass (Optional)
Environment	
<b>Operating Humidity</b>	5% to 95%
<b>Shock</b>	15G, 11ms duration
<b>IP rating</b>	IP66 (Front Side)
<b>Operating Temperature</b>	-15~55°C
<b>Vibration</b>	0.7g@DNVGL CG-0339 (Class A)
Certification	
<b>Certification</b>	DNVGL-CG-0339, IEC60945 4th, IACS E10, CE, FCC
IO Ports	
<b>Serial Port</b>	1 x RS232 for Remote Control 1 x RS232/USB for Touch Screen
<b>Video</b>	1 x VGA 1 x DVI-D 1 x Composite 1 x S-Video
Mechanical	
<b>Dimension</b>	337 x 293.2 x 70.8 mm
<b>Enclosure</b>	Metal Housing with Aluminum Bezel
<b>Cut out</b>	307 x 253mm
<b>Mounting</b>	VESA Mount/ Panel Mount
<b>Cooling System</b>	Fanless Design
Power	
<b>Power Rating</b>	24V DC-in with Isolation (Approval by Certificate) 9~36V DC Input Acceptable
Accessory	
<b>Accessory</b>	1 x User Manual. 1 x CD for Touchscreen Driver Tools. 1 x DVI Cable.

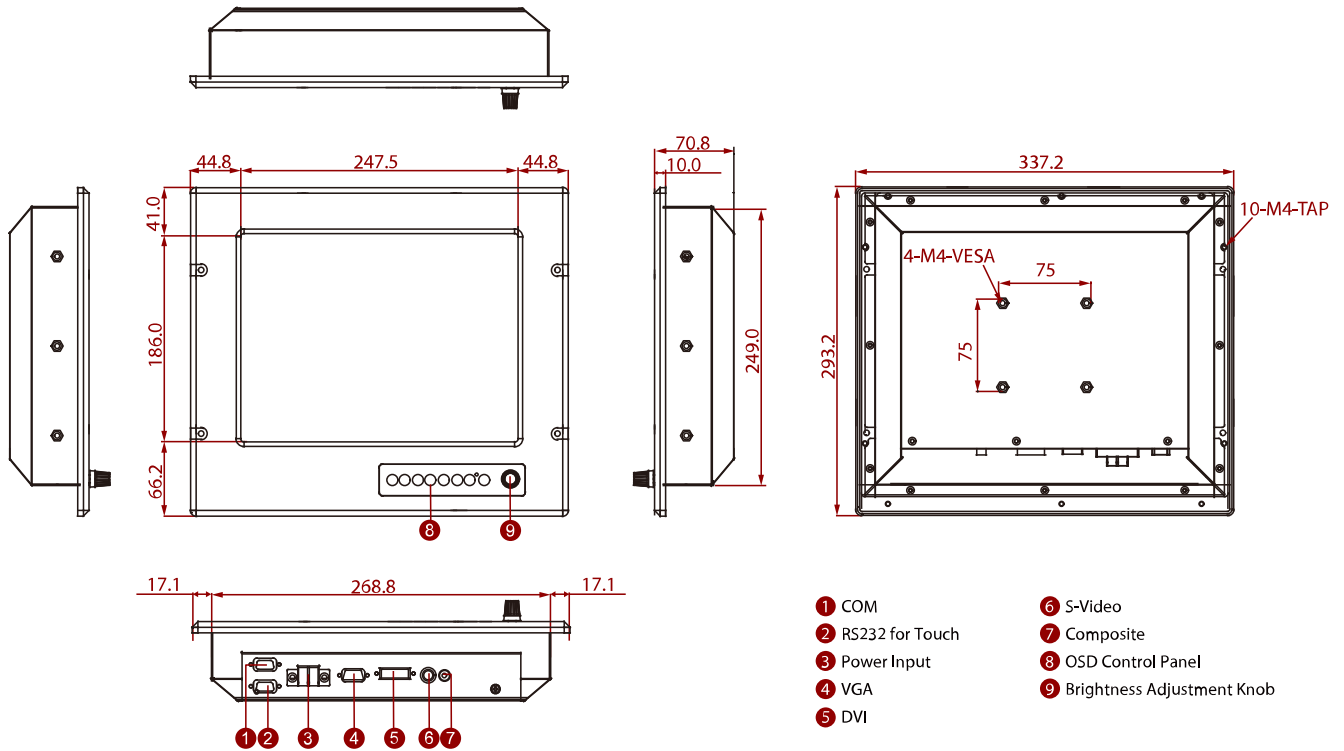
- 1 x VGA Cable.
- 1 x RS232 Serial Cable.
- 1 x S-Video Cable.
- 1 x Composite Cable.

## Control

<b>Button</b>	8 key: Esc/PIP Auto adjustment Left Right/Source OK/Menu Up Down Power 1 x The Dimming Knob
---------------	--

## DIMENSIONS UNIT:MM

### Winmate R12L600-MRM2



## NOTE

1. This is a simplified drawing and some components are not marked in detail.
2. Please contact our sales representative if you need further product information.
3. All specifications are subject to change without prior notice.
4. The product shown in this datasheet is a standard model. For diagrams that contain customized or optional I/O, please contact the Winmate Sales Team for more information.