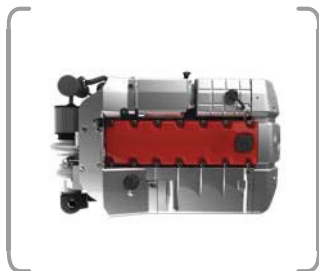


SE 6-CYLINDER MARINE ENGINES

FACTS

- Power range: 88 - 215 kW
- Displacement: 3.2 L
- Dry weight: 340 kg



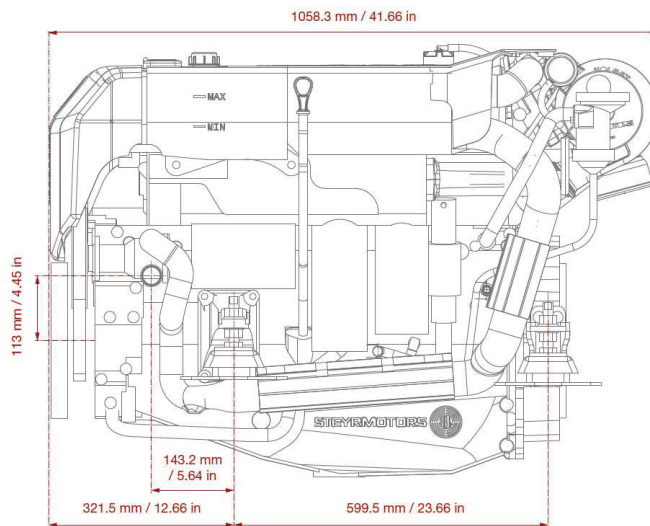
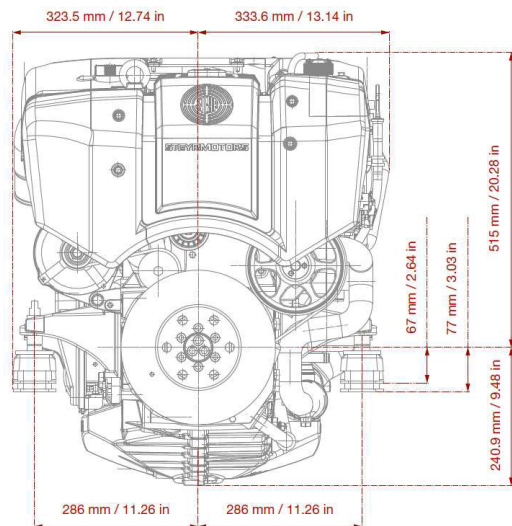
The SE 6-cylinder engine series of STEYR MOTORS has a vast application potential as well as a huge variety of options to individualize the engines. With a remarkable power to weight ratio and a most compact design, the engines of this series are all-rounders on the global commercial and leisure market. Due to its excellent torque and speed range, the still growing SE 6-cylinder series masters all challenges with ease.

MAIN FEATURES

- Perfectly suited for commercial and leisure applications
- Dual circuit cooling system with corrosion resistant materials
- Excellent performance and highest durability
- Compact and lightweight design
- SOLAS approved, EPA Tier III certified, many other certificates
- Different propulsion systems can be installed
- Sterndrive packages with Bravo One, Two and Three available
- Various accessory and installation options & kits available, e.g. fuel density kit, additional alternators, AC compressor, preparation for keel cooling, Marex ECS, SCC 2 etc.



See more applications on our website or contact us for further references.



	SE126E32	SE156E34	SE186E38	SE236E40	SE236S36	SE266E40	SE266S36	SE286E40	SE306J38
RATED POWER (KW/HP)	88/120	113/154	129/175	170/231	170/231	190/258	190/258	205/279	215/292
RATED SPEED (RPM)	3200	3400	3800	4000	3600	4000	3600	4000	3800
MAX TORQUE (NM @ RPM)	330@2050	400@2300	420@2300	470@2550	540@1800	530@2550	600@1800	570@2550	588@3300
DRY WEIGHT (KG)	340	340	340	340	340	340	340	340	340
RATING*	PL HO INT MCD	PL HO INT MCD	PL HO INT MCD	PL HO INT MCD	PL HO - -	PL HO INT -	PL HO - -	PL HO - -	PL HO - -
CERTIFICATES	SOLAS, RCD II, ZSUK 2016/1628, EPA Tier III			SOLAS, RCD II, ZSUK 2004/26/EG, EPA Tier III, EIAPP/MARPOL IMO Tier II, RMRS					
PROPULSION SYSTEMS**	T S J	T S J	T S J	T S J	T S J	T S J	T S J	T S J	- - J

*** Ratings:**

- PL – Pleasure (max. 300hours/year)
- HO – High Output (max. 300 hours/year)
- INT – (Intermittent Duty (max. 1500 hours/year)
- MCD – Medium Continuous Duty (max. 3000 hours/year)

Find detailed specifications to Ratings in STEYR MOTORS Limited Engine Warranty Conditions

**** Propulsion Systems:**

- T – Transmission
- S – Sterndrive
- J – Water Jet

OVERALL CHARACTERISTICS

- ➔ Direct Injection Diesel Engines
- ➔ 4-Stroke, Turbocharged
- ➔ 3.2 L Displacement
- ➔ 85 mm Bore, 94 mm Stroke
- ➔ Dual Circuit Cooling / Internal & Fresh Water Cooling
- ➔ J1939 CAN Bus