

SOUND POWERED TELEPHONE SYSTEMS

PORTABLES TELEPHONES

TYPE: SCM-TA

MODEL: TA-ACM-A

(Headset with microphone and amplifier)

SCM
SISTEMAS



FEATURES

- Excellent speech quality.
- Noise compensated microphone.
- Suitable for use in high-noisy areas (engine room).
- Material (headphones and amplifier): ABS polymer.
- Headphones include 10m length cable and volume control.
- ON/OFF switch included.

TECHNICAL SPECIFICATIONS

Power supply	24 VDC
Power consumption	4 W
Operating temperature	-20°C to +50°C
Relative humidity	Up to 95% (non condensing)
Weight	Approx 1.5 kg
IP-rating (amplifier)	55

SOUND POWERED TELEPHONE SYSTEMS

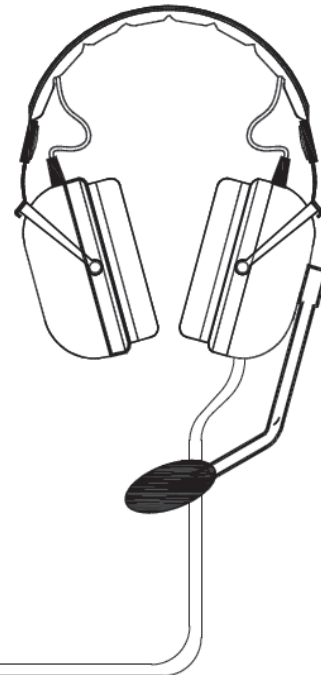
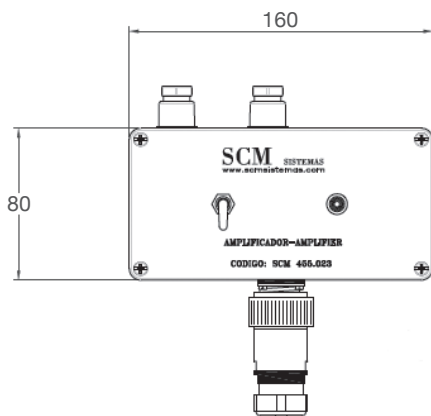
PORTABLES TELEPHONES

TYPE: SCM-TA

MODEL: TA-ACM-A

(Headset with microphone and amplifier)

SCM
SISTEMAS



TA-ACM-A

