

## SOUND POWERED TELEPHONE SYSTEMS

### ALARMS

TYPE: SCM- LD

**MODEL: LD-MG**

**(Alarm white light beacon)**

**SCM**  
SISTEMAS



#### FEATURES

- Flashing beacon alarm.
- Suitable to use in noisy areas like engine room, etc.
- Material: ABS plastic.

#### TECHNICAL SPECIFICATIONS

Power supply	110 VAC
Power consumption	21 W
Flash frequency	Approx 60-80 flash/min
Operating temperature	-20°C to +50°C
Relative humidity	Up to 95% (non condensing)
Weight	Approx 3.6 kg
IP-rating	65

# SOUND POWERED TELEPHONE SYSTEMS

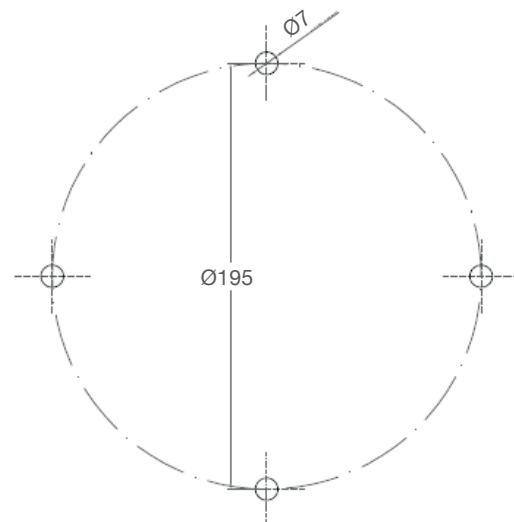
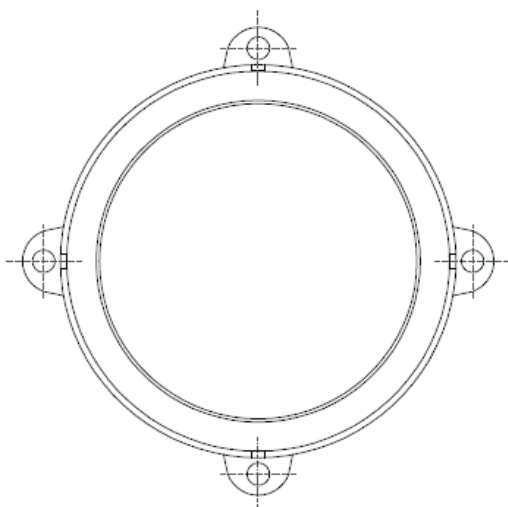
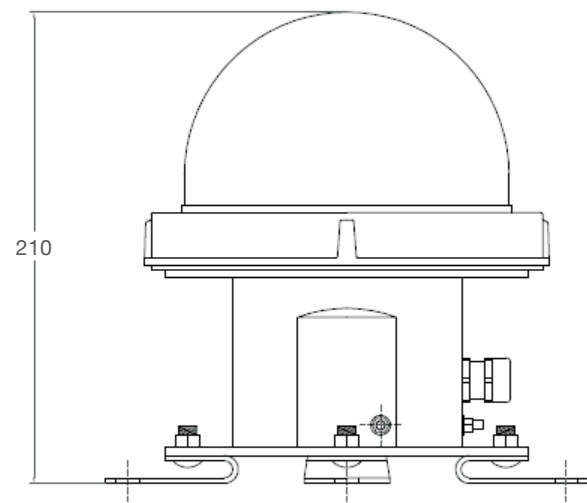
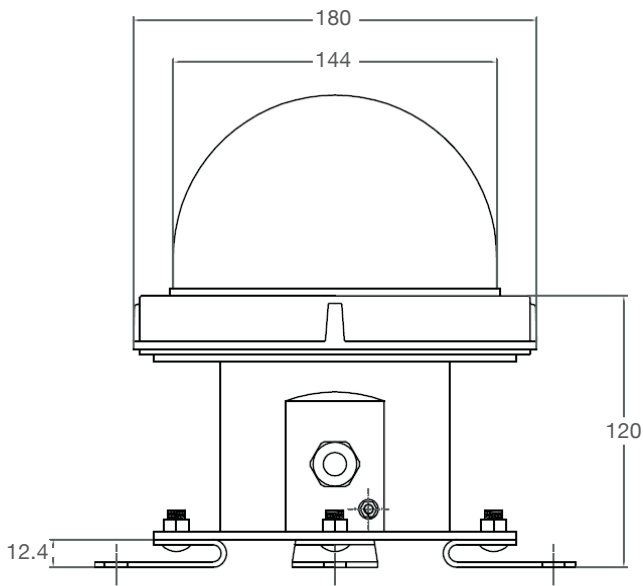
## ALARMS

TYPE: SCM-LD

MODEL: LD-MG

(Alarm white light beacon)

**SCM**  
SISTEMAS



HOLES FOR MOUNTING