

SELF POWERED TELEPHONE SYSTEM (BATTERYLESS)

TELEPHONES

TYPE: SCM-MAG

MODEL: AU-MAG-MG

(Telephone with shock and vibration isolation)

SCM
SISTEMAS



FEATURES

- Selfpowered telephone with shock and vibration isolation.
- Excellent speech quality.
- 12 extensions selector switch.
- Built-in system amplifier w/capacitor battery.
- For use on open air deck areas and bridge wings.
- Noise compensated microphone.
- Material: ABS plastic (fireproof).
- Available headphone connection for noisy areas.
- Relay to activate additional devices incorporated in the circuit board.

TECHNICAL SPECIFICATIONS

Operating temperature	-20°C to +50°C
Acoustic alarm	80 dB (1m)
Relative humidity	Up to 95% (non condensing)
Conversation time	20-30 min
Assembly	Bulkhead
Weight	Approx 4 kg
IP-rating	65
Resistive load	10A 250VAC / 30VDC
Inductive load	($\cos\phi = 0.4$; L/R = 7 ms) 5A250VAC / 30VDC

SELF POWERED TELEPHONE SYSTEM (BATTERYLESS)

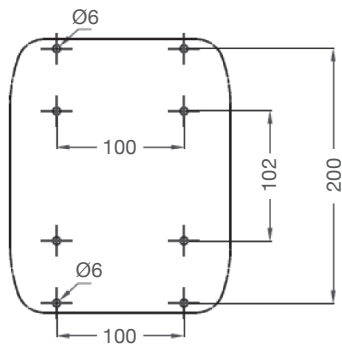
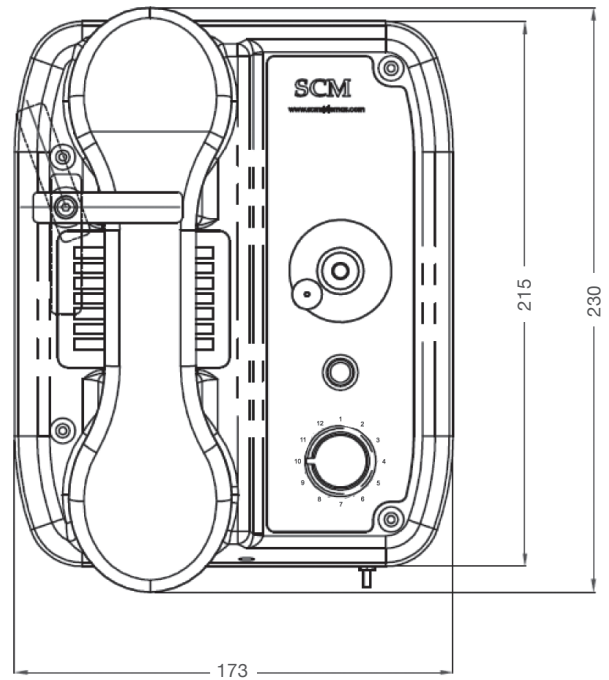
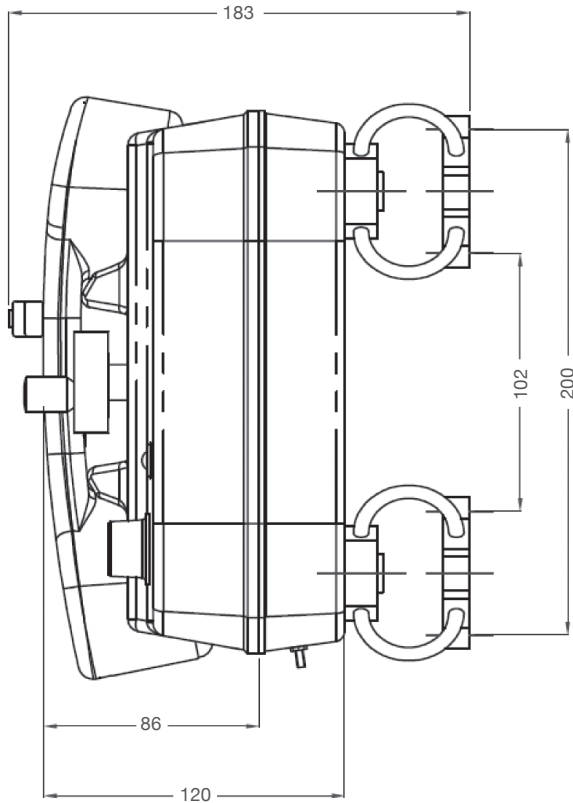
TELEPHONES

TYPE: SCM-MAG

MODEL: AU-MAG-MG

(Telephone with shock and vibration isolation)

SCM
SISTEMAS



HOLES FOR MOUNTING

