

SELF POWERED TELEPHONE SYSTEM (BATTERYLESS)

TELEPHONES

TYPE: SCM-MAG-A

MODEL: AU-MAG-A-MG-24

(Telephone with amplifier and shock and vibration isolation)

SCM
SISTEMAS



FEATURES

- Excellent speech quality.
- 24 extensions selector switch.
- Built-in system amplifier w/capacitor battery.
- Material: ABS plastic (fireproof).
- Relay to activate additional devices incorporated in the circuit board.

TECHNICAL SPECIFICATIONS

Operating temperature	-20°C to +50°C
Acoustic alarm	80 dB (1m)
Relative humidity	Up to 95% (non condensing)
Conversation time	20-30 min
Assembly	Bulkhead
Weight	Approx 4 kg
IP-rating	65
Resistive load	10A 250VAC / 30VDC
Inductive load	($\cos\phi = 0.4$; L/R = 7 ms) 5A250VAC / 30VDC

SELF POWERED TELEPHONE SYSTEM (BATTERYLESS)

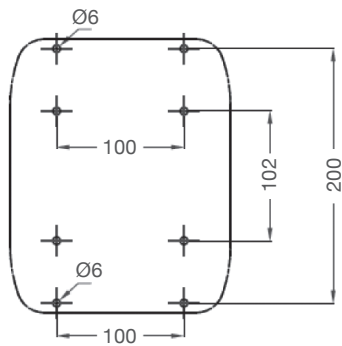
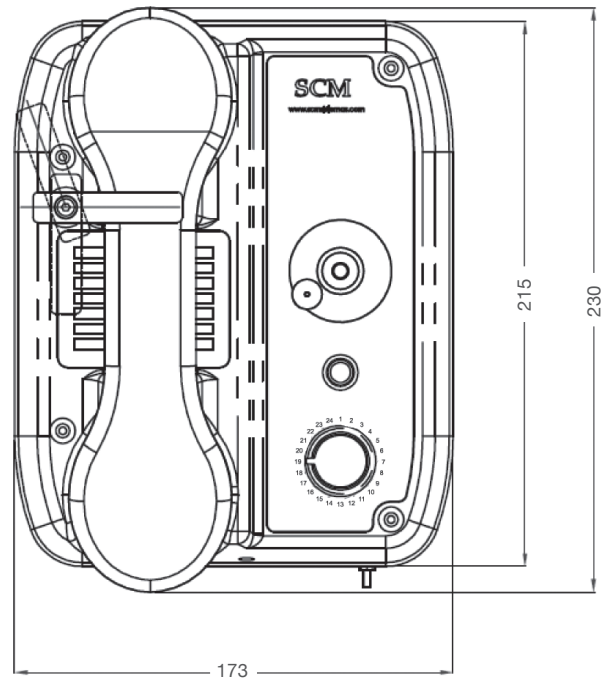
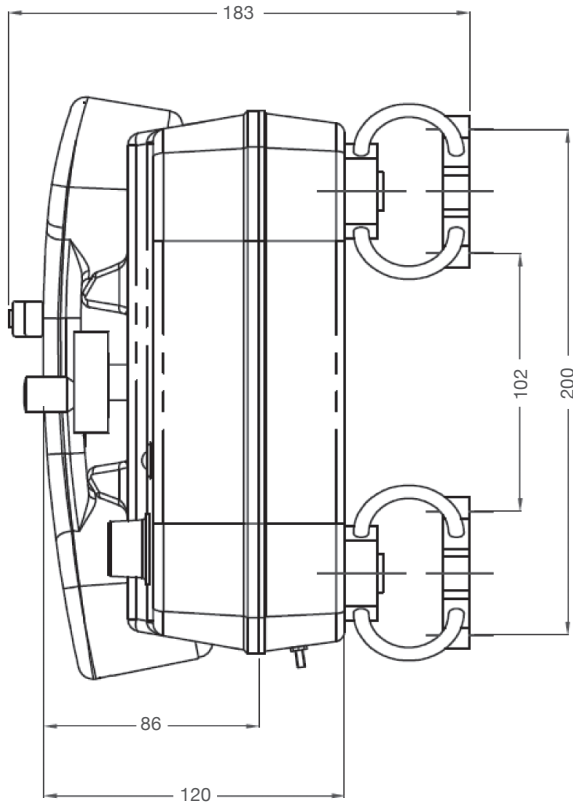
TELEPHONES

TYPE: SCM-MAG-A

MODEL: AU-MAG-A-MG-24

(Telephone with amplifier and shock and vibration isolation)

SCM
SISTEMAS



HOLES FOR MOUNTING

