



HEAT EXCHANGERS



SCAM
DIESEL



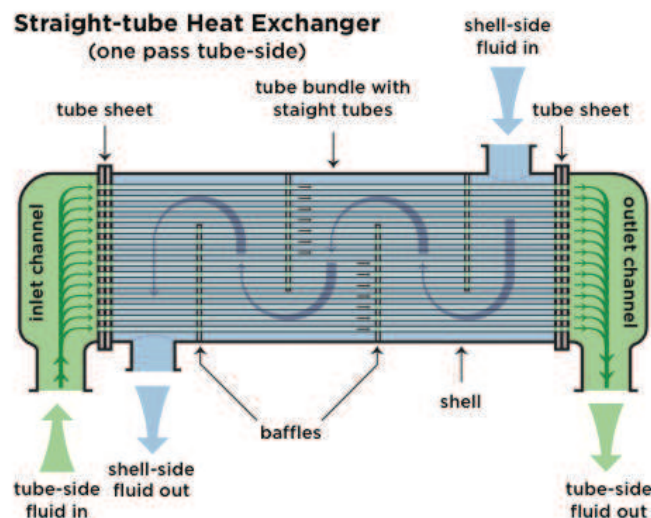
INTRODUCTION

All our heat exchangers and oil coolers are manufactured to withstand salt and extreme water conditions.

They are built of high resistance materials:

- The shell is made of cast aluminium alloy,
- Covers (o-ring sealed) are made of plastics or bronze
- Tube bundles are made of copper-nickel alloy and zinc anode protection.

Tube bundle contains the fluid that must be either heated or cooled. The second fluid runs over the tubes that are being heated or cooled so that it can either provide the heat or absorb the heat required. Shell and tube heat exchangers are typically used for low-pressure or high-pressure applications.



HEAT EXCHANGER PRODUCTION

OIL HE



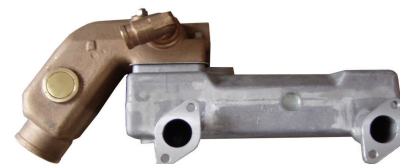
WATER HE



HEADER HE



OTHER HE



TECHNICAL FEATURES

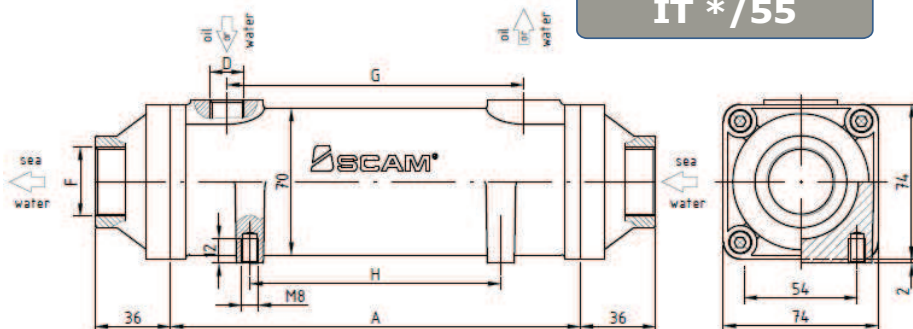
TECHNICAL DATA

Model	Tube bundle		Connections		Cooling area m2	Working pressure bar	Use for engine power kW	at sea water flow pump l/min	Weight kg
	Length mm	Diameter mm	sea water inch	water / oil inch					
IT 150/55	150	55	3/4", 1"	3/8", 1/2", 3/4"	0,1	30			1,4
IT 200/55	200	55		3/8", 1/2", 3/4", 1"	0,13	30	8	20	1,7
IT 300/55	300	55		1/2", 3/4", 1"	0,2	30	10	20	2,6
IT 200/75	200	75	3/4", 1", 1 1/4"	1/2", 3/4", 1"	0,24	30	10 to 15	20 to 30	4,3
IT 300/75	300	75		1", 1 1/4"	0,36	30	15 to 22	30 to 40	6,4
IT 200/100	200	100	3/4", 1", 1 1/4", 1 1/2"	3/4", 1", 1 1/4", 1 1/2"	0,4	30	18 to 25	40	7,8
IT 300/100	300	100		1 1/2"	0,6	30	30 to 45	50 to 60	9,4
IT 300/130	300	130		1 1/4", 1 1/2", 2", 2 1/2"	DN 50	0,99	5	60 to 70	80
IT 400/130	400	130		1,32		5	70 to 110	80 to 125	15
IT 500/130	500	130	1 1/2", 2", 2 1/2"	1,65		5	110 to 150	125 to 150	17,2
IT 600/130	600	130		1,98		5	150 to 180	125 to 150	22
IT 800/130	800	130	2", 2 1/2"		2,64	5	160 to 220	180	30
IT 400/100 E	400	100	1 1/4", 1 1/2", 2", 2 1/2"	45	0,8	5	70 to 100		8,9
IT 400/130 E	400	130			1 1/2", 2", 2 1/2"	1,1	5	100 to 140	



OIL HEAT EXCHANGERS

IT */55



IT 150/55

IT 200/55

IT 300/55

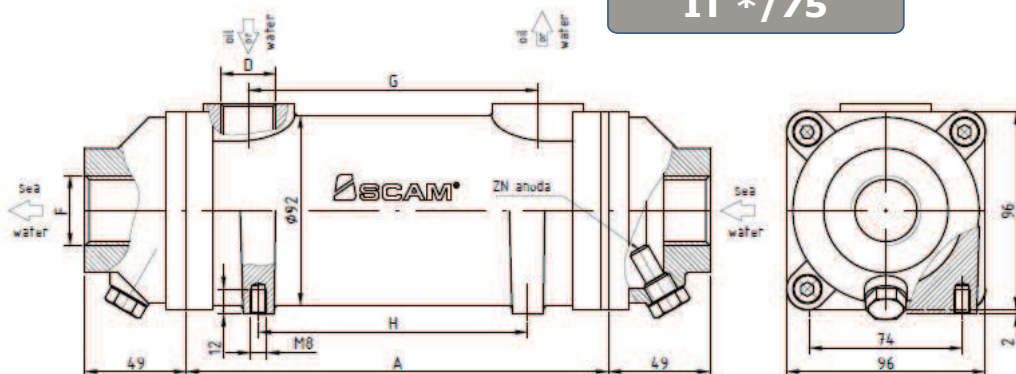
Model	G mm	A mm	H mm
IT 150/55	92	146	70
IT 200/55	142	196	120
IT 300/55	232	200+3,5	176



OIL HEAT EXCHANGERS

WATER HEAT EXCHANGERS

IT */75



IT 200/75

IT 300/75

Model	G mm	A mm	H mm
IT 200/75	140	200+4	130
IT 300/75	230	300+4	230



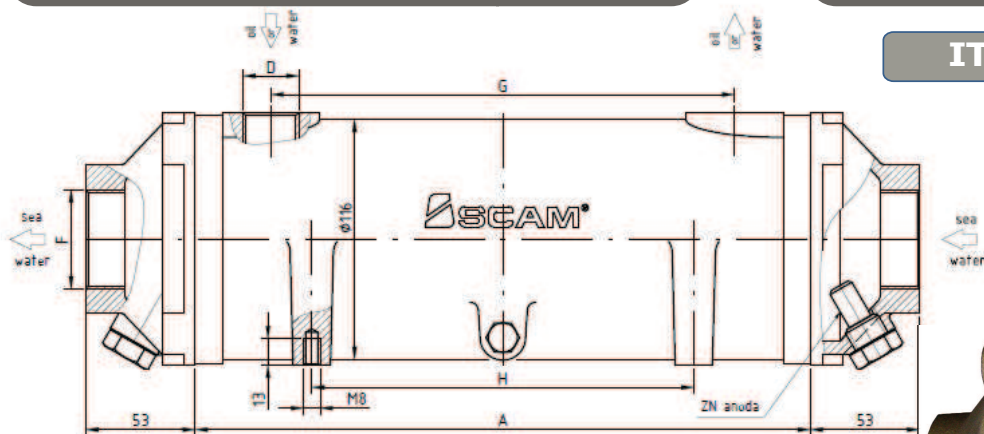
TECHNICAL FEATURES

TECHNICAL DATA									
Model	Tube bundle		Connections		Cooling area m2	Working pressure bar	Use for engine power kW	at sea water flow pump l/min	Weight kg
	Length mm	Diameter mm	sea water inch	water / oil inch					
IT 150/55	150	55	3/4", 1"	3/8", 1/2", 3/4"	0,1	30			1,4
IT 200/55	200	55		3/8", 1/2", 3/4", 1"	0,13	30	8	20	1,7
IT 300/55	300	55		1/2", 3/4", 1"	0,2	30	10	20	2,6
IT 200/75	200	75	3/4", 1", 1 1/4"	1/2", 3/4", 1", 1 1/4"	0,24	30	10 to 15	20 to 30	4,3
IT 300/75	300	75		1", 1 1/4"	0,36	30	15 to 22	30 to 40	6,4



OIL HEAT EXCHANGERS

WATER HEAT EXCHANGERS



IT */100

IT 200/100

IT 300/100

Model	G mm	A mm	H mm
IT 200/100	122	200+4	84
IT 300/100	222	300+4	184



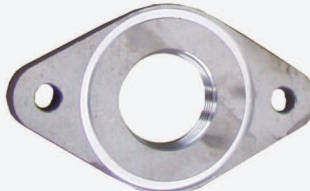



TECHNICAL DATA

Model	Tube bundle		Connections		Cooling area m2	Working pressure bar	Use for engine power kW	at sea water flow pump l/min	Weight kg
	Length mm	Diameter mm	sea water inch	water / oil inch					
IT 200/100	200	100	3/4", 1", 1 1/4"	3/4", 1", 1 1/4"	0,4	30	18 to 25	40	7,8
IT 300/100	300	100	1 1/2"	1 1/2"	0,6	30	30 to 45	50 to 60	9,4

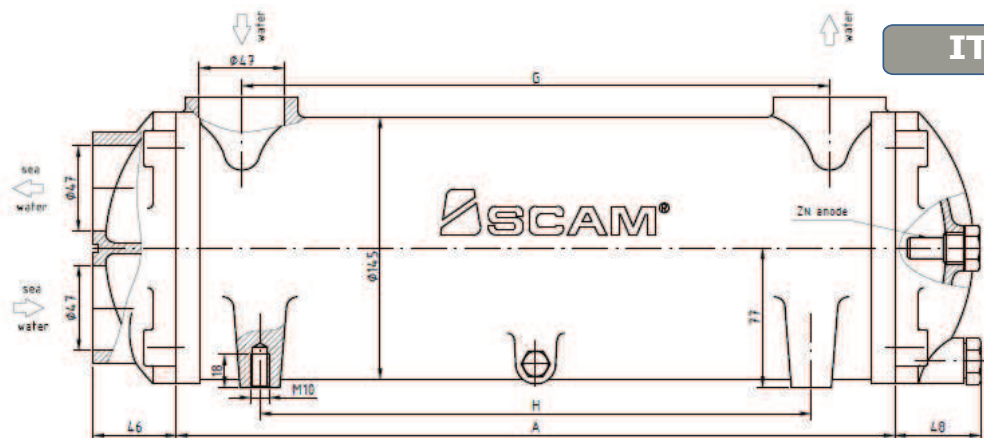
ACCESSORIES

TECHNICAL DATA

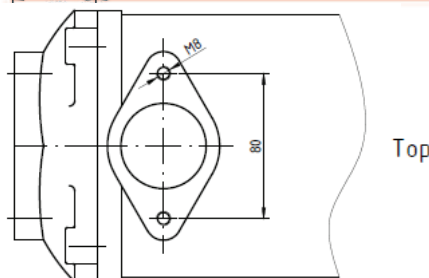
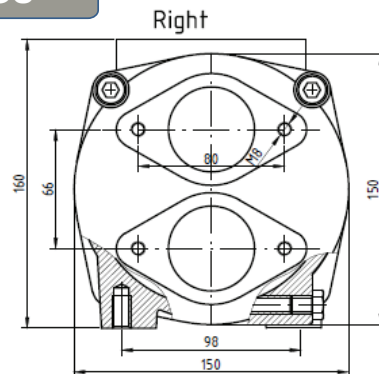
Name	Kat. No.	for IT	Connections		Material	
			threaded	pipe dia		
			inch	mm		
Fitting threaded straight	PUR Br 3/4"-25	IT */55 IT */75 IT */100	R 3/4"	25	Bronze	
	PUR Br 1"-30		R 1"	30		
	PUR Br 1"-35		R 1"	35		
	PUR Br 1 1/4"-40		R 1 1/4"	40		
	PUR Br 1 1/2"-45		R 1 1/2"	45		
Fitting threaded elbow	PUR Br 3/4"-25	IT */55 IT */75 IT */100	R 3/4"	25	Bronze	
	PUR Br 1"-30		R 1"	30		
	PUR Br 1"-35		R 1"	35		
	PUR Br 1 1/4"-40		R 1 1/4"	40		
	PUR Br 1 1/2"-45		R 1 1/2"	45		
	PUR Al 3/4"-25	IT */55 IT */75 IT */100	R 3/4"	25	Al	
	PUR Al 1"-30		R 1"	30		
	PUR Al 1"-35		R 1"	35		
	PUR Al 1 1/4"-40		R 1 1/4"	40		
Flange threaded	FT INOX 1 1/4"	IT */130	R 1 1/4"		INOX	
	FT INOX 1 1/2"		R 1 1/2"			
	FT INOX 2"		R 2"			
	FT Al 1 1/4"	IT */130	R 1 1/4"		Al	
	FT Al 1 1/2"		R 1 1/2"			
	FT Al 2"		R 2"			
Zn anode, assy	Assy	Zn anode	Holder	Holder material	Bronze	
	NC-IT/M10	C-IT/M10	N-IT/M10			
	NC-IT/M12	C-IT/M12	N-IT/M12			



WATER HEAT EXCHANGERS



IT */130



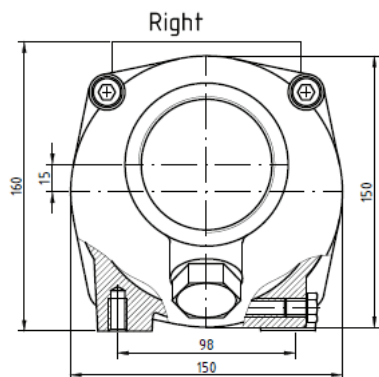
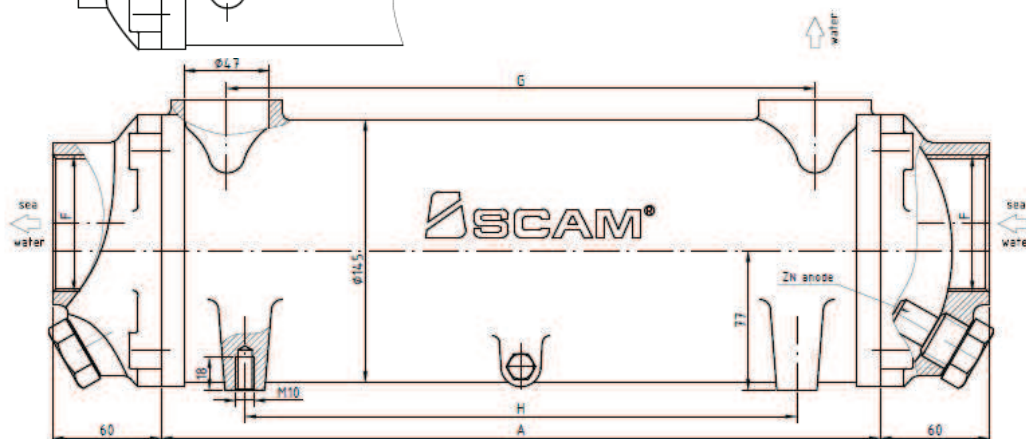
IT 300/130

IT 400/130

IT 500/130

IT 600/130

IT 800/130



Model	G mm	A mm	H mm
IT 300/130	220	296+4	204
IT 400/130	320	396+4	304
IT 500/130	420	496+4	404
IT 600/130	520	596+4	504
IT 800/130	2x320	2x396+4	2x304



TECHNICAL FEATURES

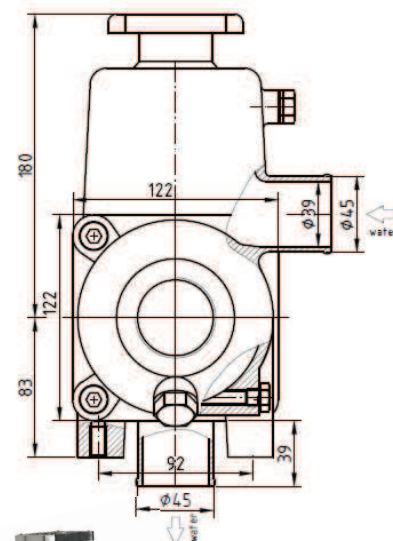
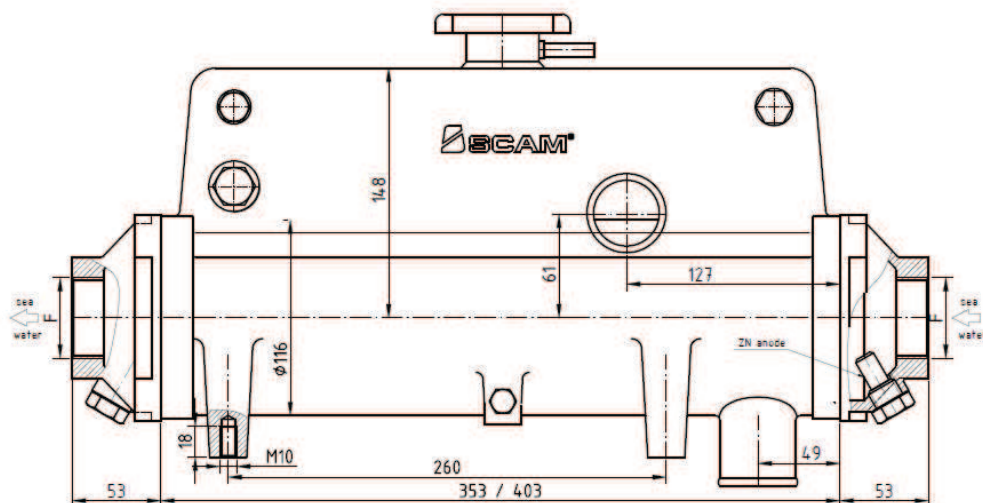
TECHNICAL DATA									
Model	Tube bundle		Connections		Cooling area m ²	Working pressure bar	Use for engine power kW	at sea water flow pump l/min	Weight kg
	Length mm	Diameter mm	sea water inch	water / oil inch					
IT 300/130	300	130	1 1/4", 1 1/2", 2", 2 1/2"	DN 50	0,99	5	60 to 70	80	13,3
IT 400/130	400	130	1 1/2", 2", 2 1/2"		1,32	5	70 to 110	80 to 125	15
IT 500/130	500	130	1 1/2", 2", 2 1/2"		1,65	5	110 to 150	125 to 150	17,2
IT 600/130	600	130	2", 2 1/2"		1,98	5	150 to 180	125 to 150	22
IT 800/130	800	130	2", 2 1/2"		2,64	5	160 to 220	180	30



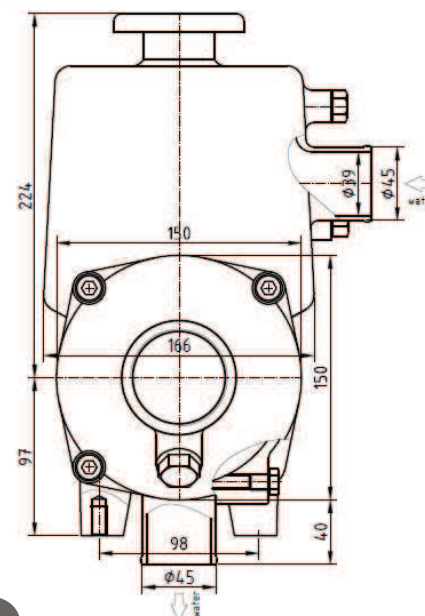
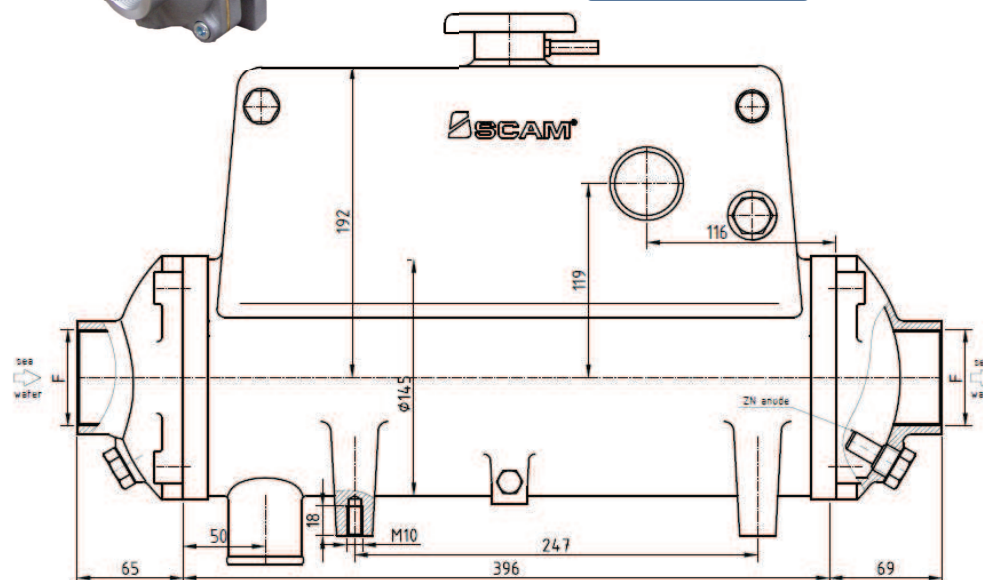
HEADER TANK HEAT EXCHANGERS

IT 350/100 E

IT 400/100 E



IT 400/130 E



TECHNICAL FEATURES

TECHNICAL DATA

Model	Tube bundle		Connections		Cooling area m ²	Working pressure bar	Use for engine power kW	at sea water flow pump l/min	Weight kg
	Length mm	Diameter mm	sea water inch	water / oil inch					
IT 350/100 E	350	100	1 1/4", 1 1/2", 2"	45	0,7	5	40 to 70	8	
IT 400/100 E	400	100	1 1/4", 1 1/2", 2"		0,8	5	70 to 100	8,9	
IT 400/130 E	400	130	1 1/2", 2", 2 1/2"		1,1	5	100 to 140	10	