


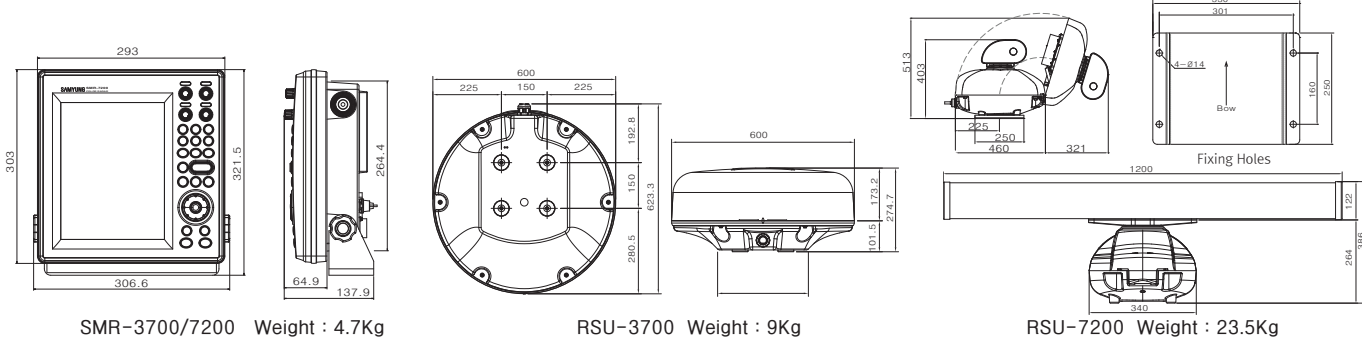
# 10.4" Color LCD RADAR

SMR-3700/7200

◆ SPECIFICATIONS

	SMR-3700/RSU-3700	SMR-7200/RSU-7200
		
<b>ANTENNA</b>		
Type	Dome-type antenna	Bar-type antenna
Output power	4KW	6KW
Tx frequency	9410±30MHz	9410±30MHz
Revolution	approx. 24rpm	approx. 24rpm
Beam width	Horizontal 4.0° / Vertical 25°	Horizontal 2.0° / Vertical 25°
Synchronism method	Automatic / Manual switch over	Automatic / Manual switch over
Operation temperature	-25℃~+55℃	-25℃~+55℃
Relative humidity	35%~95%	35%~95%
Relative wind velocity	51.5 m/sec(100 Knots)	51.5 m/sec(100 Knots)
<b>DISPLAY UNIT</b>		
Display unit	10.4" Color VGA TFT LCD, Vertical display	10.4" Color VGA TFT LCD, Vertical display
Resolution	640×480	640×480
Indication type	scan type	scan type
Distance range	0.0625, 0.125, 0.25, 0.5, 0.75, 1, 1.5, 2, 3, 6, 12, 24, 36nm	0.0625, 0.125, 0.25, 0.5, 0.75, 1, 1.5, 2, 3, 6, 12, 24, 36, 48, 64, 72nm
Minimum distance	within 25m	within 25m
Azimuth accuracy	within ± 1°	within ± 1°
Azimuth resolving power	4.2°	2.1°
VRM	.000 ~ 36NM display in digital	.000 ~ 72NM display in digital
EBL	000° ~ 359° display in digital	000° ~ 359° display in digital
Indication of bow	electronic type	electronic type
Display mode	head-up, north-up, course-up	head-up, north-up, course-up
Operation temperature	-15℃ ~ +55℃	-15℃ ~ +55℃
Pre-heat time	approx. 90 sec.	approx. 90 sec.
Input data	NMEA 0183(2port), AIS(RS-422)	NMEA 0183(2port), AIS(RS-422)
Consumption power	60W	85W
Power supply	DC +24V / +12V	DC +24V

◆ DIMENSIONS



\* Specification is subject to change without pre-notice

**SAMYUNG ENC Co.,Ltd.**

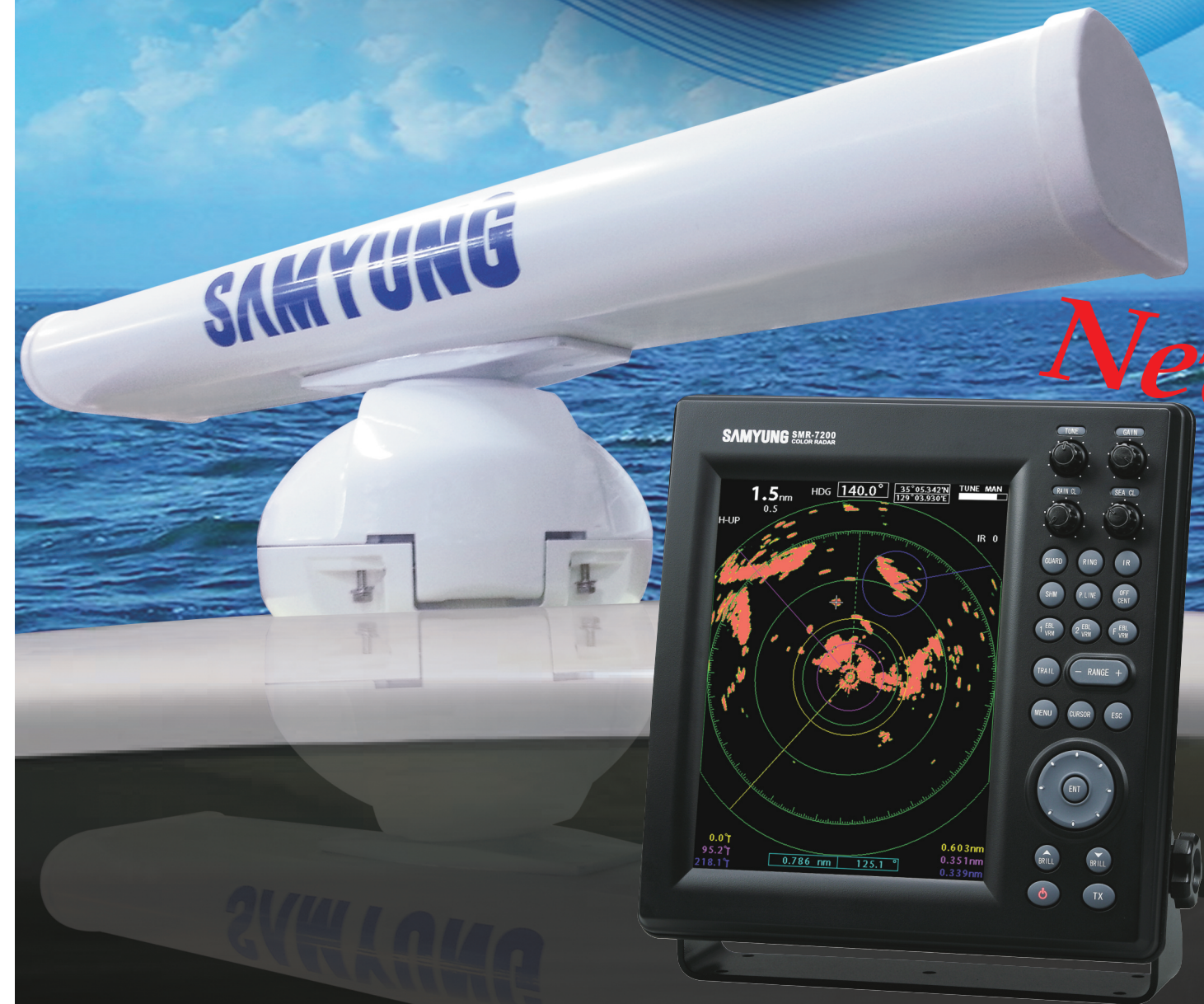
Head Office : 1123-17, Dongsam-Dong, Youngdo-Gu, Busan, Korea, 606-083  
 Tel : 82-51-601-5530(Rep.) Fax : 82-51-413-4446  
 A/S Center : 65-20, 2-Ga Namhang-Dong, Yungdo-Gu, Busan, Korea, 606-032  
 Tel : 82-1577-0198(ARS) Fax : 82-51-416-5515  
 Http : //www.samyungenc.com

**KMAR** ISO 9001:2000 / KS A 9001:2001  
 Certificate No. : RQM0645



www.samyungenc.com

# 4KW/36NM | 6KW/72NM 10.4" LCD MARINE RADAR



*New*

**SMR-7200**

**SAMYUNG ENC Co.,Ltd.**





# 4KW/36NM | 6KW/72NM 10.4" LCD MARINE RADAR



6KW/72NM

NEW



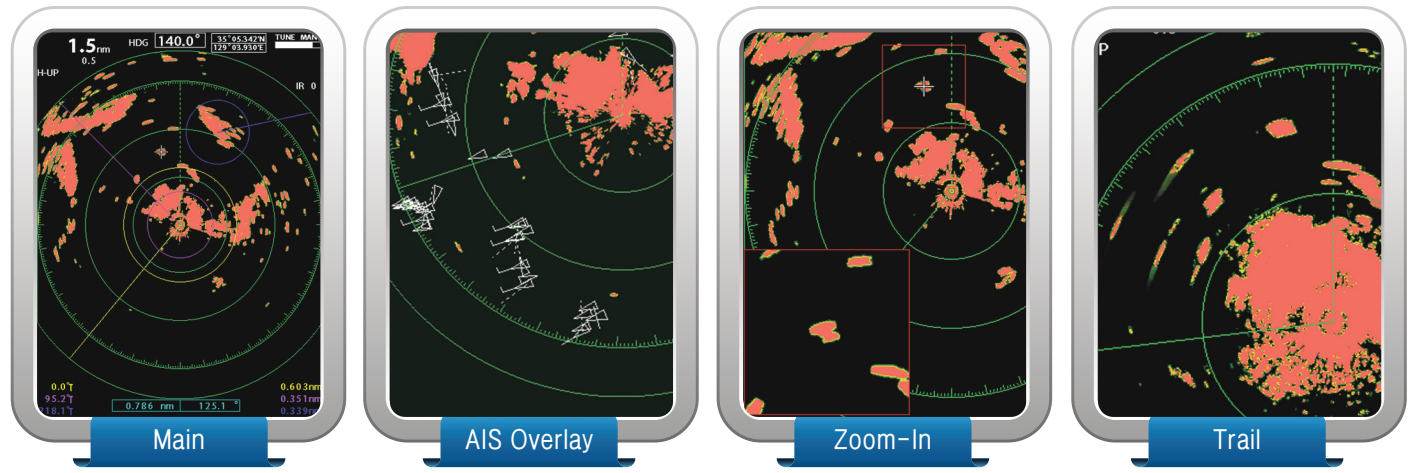
SMR-7200/RSU-7200

- Zoom-In the special target area-
- Superior ability to display closed range targets -

## FEATURES

- Overlay with AIS targets.
- Able to Zoom-In the selected special target area.
- Strengthened ability to display short range targets.
- Able to choose color brightness in 10 levels for navigation at night.
- Can choose the screen color within white, yellow, green.
- Intermittent Tx mode : can operate with low electricity consumption.
- Dynamic cursor speed with 8 directional keys adopted.
- Can move screen center point and observe the long distance of the desired direction.
- Display parallel line : Can maintain certain distance between other vessel.

## DISPLAY MODE

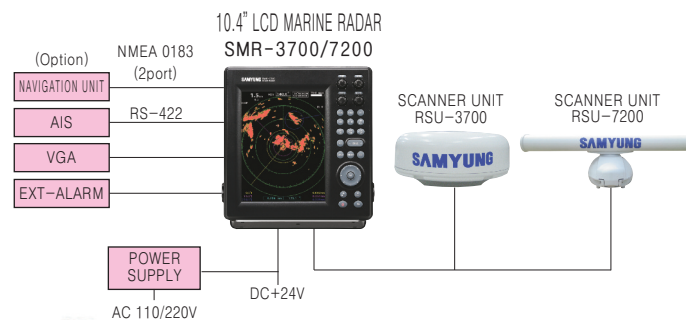


4KW/36NM



SMR-3700/RSU-3700

## CONFIGURATION



## COMPONENTS

- BASIC COMPONENT
- Display Unit (SMR-3700/7200) 1SET
- Antenna (RSU-3700/7200) 1SET
- Installation materials, spare parts, instruction manual 1LOT

