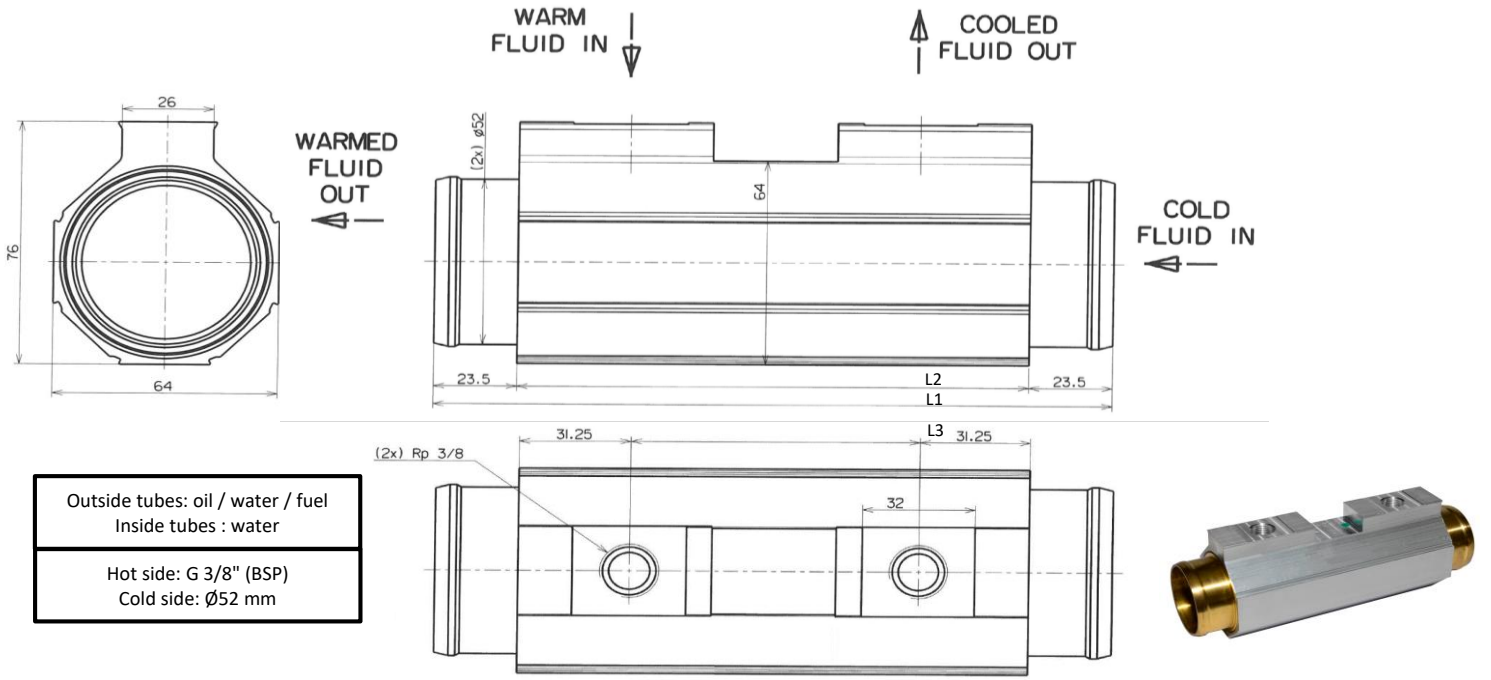


**TECHNICAL
DATA**

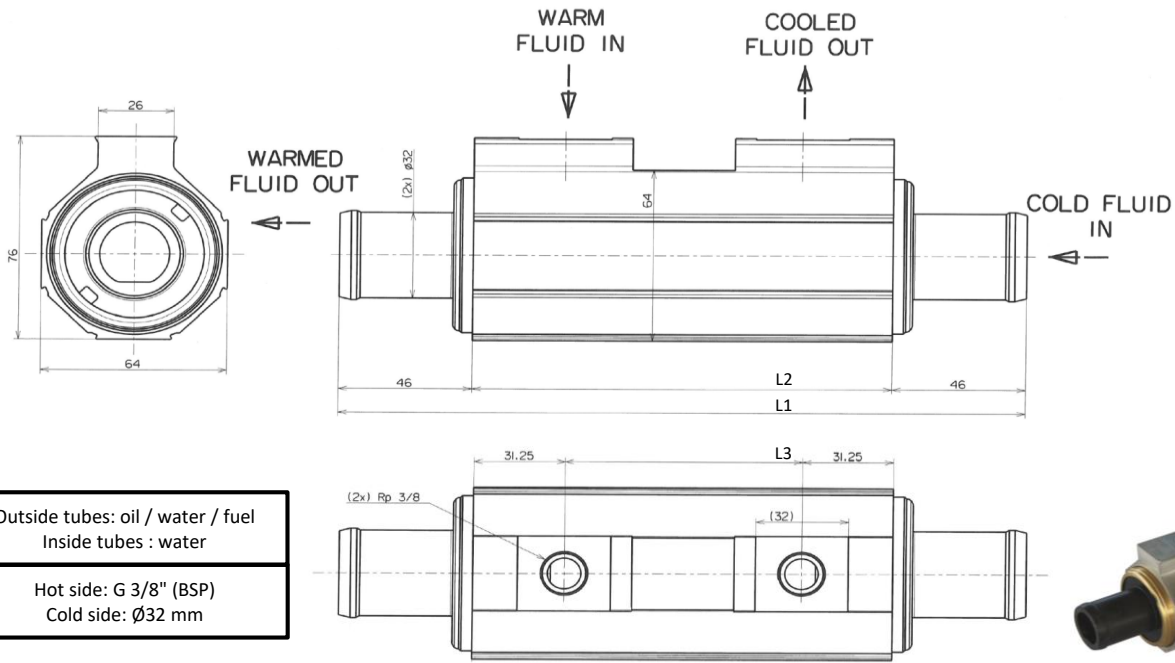
**MULTITUBULAR HEAT EXCHANGER
Oil-Water-Fuel / Water
G058 - xxx - 1 / NC52**



Data	Cooling of oil / water / fuel by untreated water or sea water					
Dimensions [mm]	Core length [mm]					
		116	175	235		
	L1	191	250	310		
	L2	144	203	263		
Area [m²]	A	0,11	0,16	0,22		
Volume [L]	Outside tubes	0,13	0,20	0,28		
	Inside tubes					
Weight [kg]	Total	1,25	1,60	1,95		
	Working characteristics	Maximum working pressure [bar]		Outside tubes	30	Maximum water flow rate Qw = 145 L/min
Inside tubes				10		
Maximum working temperature [°C]		Outside tubes	120			
		Inside tubes	90			
Designation	Tube	Tube plate	Baffle	Shell	Water connection	O-rings
Materials	Copper-Nickel	Brass	Brass	Aluminium	Brass	Viton
Model	<div style="display: flex; justify-content: space-around; align-items: center;"> <div style="border: 1px solid black; padding: 2px;">G</div> <div style="border: 1px solid black; padding: 2px;">0</div> <div style="border: 1px solid black; padding: 2px;">5</div> <div style="border: 1px solid black; padding: 2px;">8</div> - <div style="border: 1px solid black; padding: 2px;">1</div> <div style="border: 1px solid black; padding: 2px;">7</div> <div style="border: 1px solid black; padding: 2px;">5</div> - <div style="border: 1px solid black; padding: 2px;">1</div> / <div style="border: 1px solid black; padding: 2px;">NC52</div> </div>					
	<div style="display: flex; justify-content: space-between;"> <div style="width: 30%;"> <p>Type</p> <p>Core diameter</p> <p>Core length</p> <p>Number of passes on cold side</p> </div> <div style="width: 30%; text-align: center;"> <p>Geometry</p> </div> <div style="width: 30%;"> <p>Water connection NC52 Brass Ø52mm CC32 Reinforced plastic Ø32mm</p> </div> </div>					

**TECHNICAL
DATA**

**MULTITUBULAR HEAT EXCHANGER
Oil-Water-Fuel / Water
G058 - xxx - 1 / CC32**



Outside tubes: oil / water / fuel
Inside tubes : water

Hot side: G 3/8" (BSP)
Cold side: Ø32 mm

Data	Cooling of oil / water / fuel by untreated water or sea water					
Dimensions [mm]	Core length [mm]					
		116	175	235		
	L1	236	295	355		
	L2	144	203	263		
	L3	81,5	140,5	200,5		
Area [m²]	A	0,11	0,16	0,22		
Volume [L]	Outside tubes	0,13	0,20	0,28		
	Inside tubes					
Weight [kg]	Total	1,25	1,60	1,95		
Working characteristics	Maximum working pressure [bar]		Outside tubes	30	Maximum water flow rate Qw = 145 L/min	
			Inside tubes	10		
	Maximum working temperature [°C]		Outside tubes	120		
			Inside tubes	90		
Designation	Tube	Tube plate	Baffle	Shell	Water connection	O-rings
Materials	Copper-Nickel	Brass	Brass	Aluminium	Reinforced plastic	Viton
Model	<div style="display: flex; justify-content: space-around; align-items: center;"> <div style="border: 1px solid black; padding: 2px;">G</div> <div style="border: 1px solid black; padding: 2px;">0</div> <div style="border: 1px solid black; padding: 2px;">5</div> <div style="border: 1px solid black; padding: 2px;">8</div> <div style="font-size: 12px;">-</div> <div style="border: 1px solid black; padding: 2px;">1</div> <div style="border: 1px solid black; padding: 2px;">7</div> <div style="border: 1px solid black; padding: 2px;">5</div> <div style="font-size: 12px;">-</div> <div style="border: 1px solid black; padding: 2px;">1</div> <div style="font-size: 12px;">/</div> <div style="border: 1px solid black; padding: 2px;">CC32</div> </div> <div style="margin-top: 10px;"> <p>Type: G058</p> <p>Core diameter: 32</p> <p>Core length: 175</p> <p>Number of passes on cold side: 1</p> <p>Water connection: NC52 Brass Ø52mm CC32 Reinforced plastic Ø32mm</p> </div>					