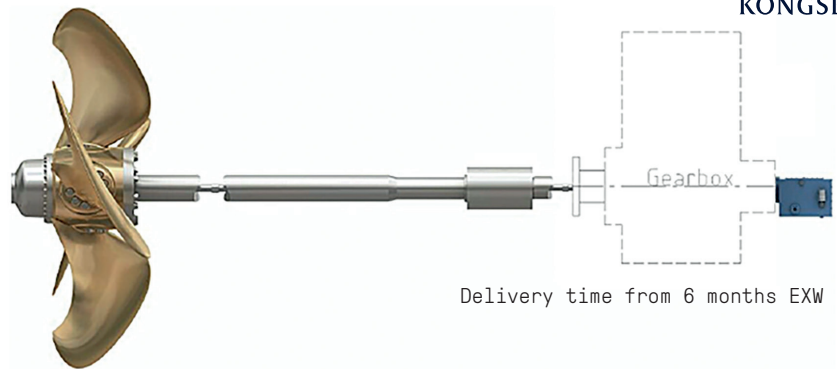


STANDARD PROPELLER



KONGSBERG



KONGSBERG CONTROLLABLE PITCH PROPELLERS

Standard Propeller

The standard propeller is a Kamewa CP-A/A1 controllable pitch hub system, renowned for its high efficiency and its blade bearing arrangement designed to avoid peak pressures and cavitation.

CP propeller holds more than 80 years' experience in the marine marketplace. With a fixed set of available options, digitalised and simplified order process, the standard propeller offer standardised products that is price attractive to the market without compromising on Kongsberg Maritime quality and performance.

Specification

The standard specification covers 4-bladed propellers in hubs sizes from 46 to 132, ISO class1 and ice class up to 1AS, for speeds up to 23 knots. Suitable for vessels (sizes small to medium) in all segments; Commercial, Offshore and Naval who seek high value and quality in a cost efficient solution. Standard CPP will have NiAlBr blades and hub and be supplied with digital copies of installation, operation and maintenance manuals in English. Classification societies; Lloyds, BV and DNV.

Design

The design is based on previous Hub designs of which there are several hundred units installed and operating reliably.

- 4- Bladed design
- Hub size range 46-132
- Ship speed <23kn
- Designed to Ice class: 1AS and ISO class 1
- NiAl- Bronze in Hub and Blades.
- Unique and automated Blade design
- Propeller Shaft in standard material
- Standard Blade Bolts
- White metal Bearings (inboard).
- Nozzle standard interface. (CP-A1)

BENEFITS

Simple, reliable construction of complete system, including mechanical components, hydraulics and controls.

- Clear scope with defined options
- Cost competitive for the standard segment
- Digitalised and simplified process
- The back- up of Kamewa's worldwide service organisation

PREMIUM UPGRADES

- Kongsberg Maritime PROMAS system
- Premium Control System
- Customer fitted hydraulics
- Coating systems
- Military standard

Kongsberg Maritime
P.O.Box 483, NO-3601
Kongsberg, Norway

Switchboard: +47 815 73 700
Global support 24/7: +47 33 03 24 07
E-mail sales: km.sales@km.kongsberg.com
E-mail support: km.support@km.kongsberg.com