

s100HD WorldView™

1m Maritime Antenna for HD DIRECTV and Global TV Reception
 3 DIRECTV Satellites and all Ku-band Satellite Reception



Exceptional 1m Performance

The s100HD WorldView™ 1m antenna provides exceptional coverage and performance for DIRECTV service in North America as well as service around the world making it the perfect choice for vessels traveling between the Mediterranean, US, and Caribbean.

The Ultimate in Simultaneous Reception

Intellian's WorldView Trio LNB™ with its triple feed horn provides simultaneous reception of DIRECTV US satellites: two HD DIRECTV Ka-band (99°W/103°W) satellites and one DIRECTV Ku-band (101°W) satellite. In addition, the LNB receives Ku-band TV service around the globe providing a complete HD entertainment experience at sea, including DVR capability.

Global Satellite Library

The s100HD WorldView™ antenna system contains a built-in global satellite library that contains regional satellite data wherever you are. The library makes it simple to load your satellite providers specifications from around the globe making it easy to enjoy your favorite programming in no time.

Matching Dome Solution

The s100HD's radome matches the styling of Intellian's v100 and GX100 VSAT antennas, making a perfect solution for larger yachts or whenever there is an emphasis on symmetrical design. The v100 and GX100 are the most popular VSAT antennas on the market today, making them perfect match for those who also need voice, high-speed data, and fax services.

Aptus Mobile

Easily connect to the Wi-Fi enabled ACU with Aptus Mobile that enables simple system control and monitoring, including OneTouch Satellite library and firmware updates. Aptus mobile is available From the App Store for iPhone and iPad, or Google Play for Android devices.

Multi-Switch Module Included

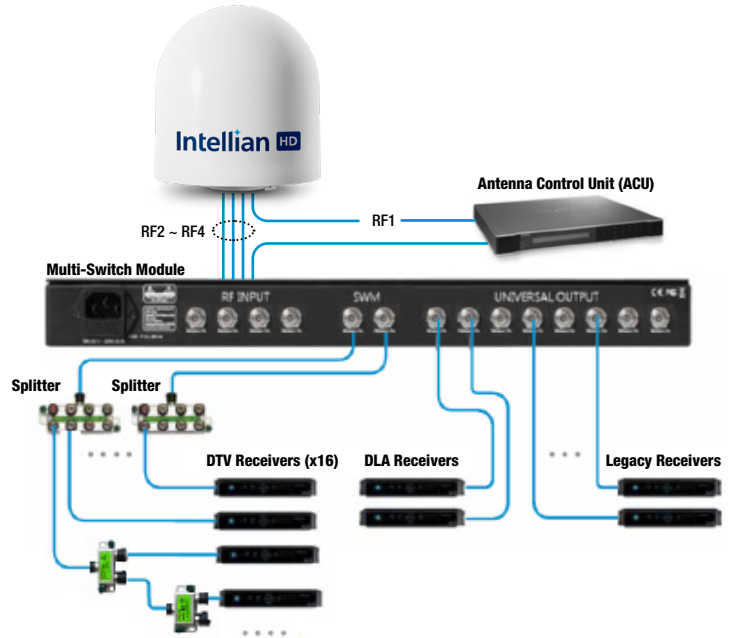
Intellian s100HD WorldView™ comes with an Intellian 19" rack mount Multi-Switch module that allows you to seamlessly connect various types of satellite receivers. The built-in SWM capability simplifies installation by supporting single wire installation to multiple TV receivers, eliminating the need for additional hardware and cable runs.

s100HD WorldView™

Technical Specifications

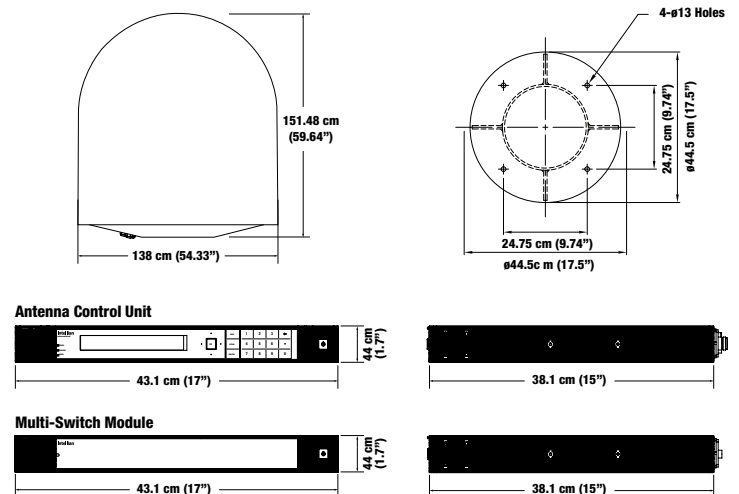
Physical	
Radome Height	151.4 cm / 59.64"
Radome Diameter	138 cm / 54.33"
Reflector Diameter	109 cm / 42.9"
Weight	100 kg / 220 lbs
Environmental	
Operating Temp. Range	-25°C to +55°C / -13°F to +131°F
Storage Temp. Range	-40°C to +80°C / -40°F to +176°F
Water Ingress	IPX6
Approvals	CE / FCC
Warranty	3 year parts and 2 year labor
Performance	
Platform	3-axis: Azimuth, Elevation, Cross-Level / Auto Skew
Reception Frequency	Ku-band: 10.7~12.75 GHz Ka-band: 18.3~18.8 / 19.7~20.2 GHz
Polarization	Ku-band: Linear / Circular Switchable Ka-band: Circular
Minimum EIRP	Ku-band: 42 dBW / Ka-band: 45 dBW
Azimuth Range	680°
Elevation Range	-15° to +120°
Cross Level Range	±37°
Ship's Motion	Roll ±25°, Pitch ±15°, Yaw ±8° @ 6 sec period
Turning Rate	Up to 12°/sec and 5°/sec²
Stabilization Accuracy	0.2° max in presence of specified ship motions
LNB LO Frequencies	
WorldView™ Trio LNB (Ka and programmable World-View LNB)	
Ku-band	9.75 / 10.6 GHz (Universal mode), 10.5, 10.6, 10.678, 10.7, 10.75, 10.8, 11.0, 11.05, 11.2, 11.25 and 11.3 GHz (Single mode)
Ka-band	18.05 GHz
Antenna Control Unit	
Dimensions (WxDxH)	43.1 cm x 38.1 cm x 4.4 cm / 17" x 15" x 1.7"
Weight	3.5 kg / 7.7 lbs
Display	2 Line 40 Character Graphic VFD Module
GPS Interface	NMEA In / NMEA Out
Power Requirement	100~240 V AC, 50~60 Hz, 2 A
Power Consumption	Typical 50 W, Max. 100 W

System Diagram



Note: Two 8-way SWM splitters supplied

System Dimensions



Global HQ
Innovation Center
Intellian Technologies, Inc.
T +82 31 379 1000
F +82 31 377 6185

APAC
Seoul
Intellian Technologies, Inc.
T +82 2 511 2244
F +82 2 511 2235

Americas
Irvine
Intellian Technologies USA, Inc.
T +1 949 727 4498
F +1 949 271 4183
Toll Free +1 888-201-9223

EMEA
Rotterdam
Intellian B.V.
T +31 1 0820 8655
F +31 1 0820 8656