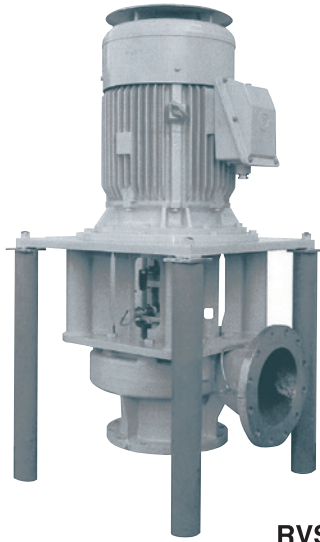


CENTRIFUGAL PUMP

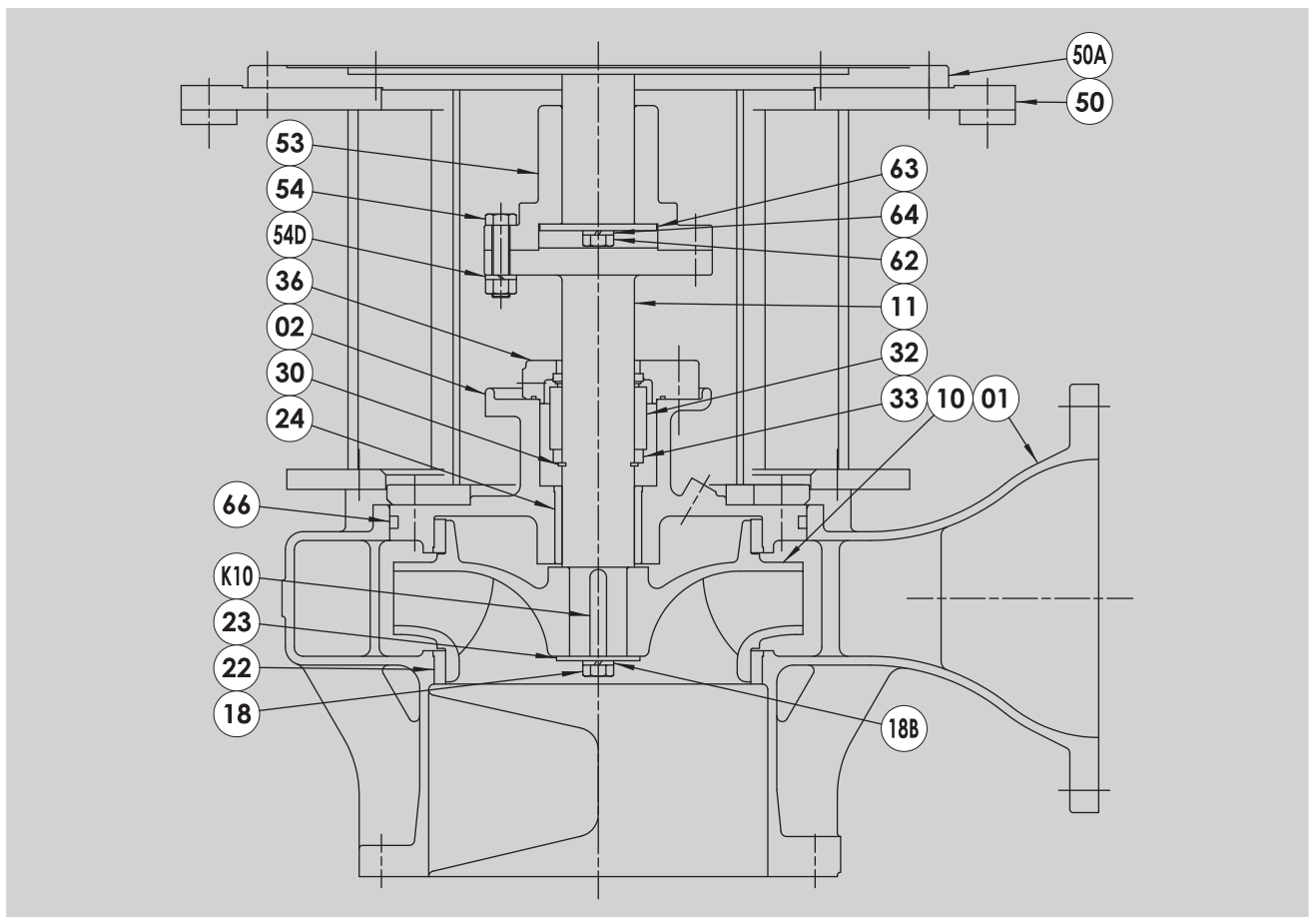
RVS Model



RVS MODEL

用途/Service

- * 消防兼雑用ポンプ
- * 消防兼ビルジバラストポンプ
- * その他
- * Fire & G. S. Pump
- * Fire & Bilge Ballast Pump
- * Others

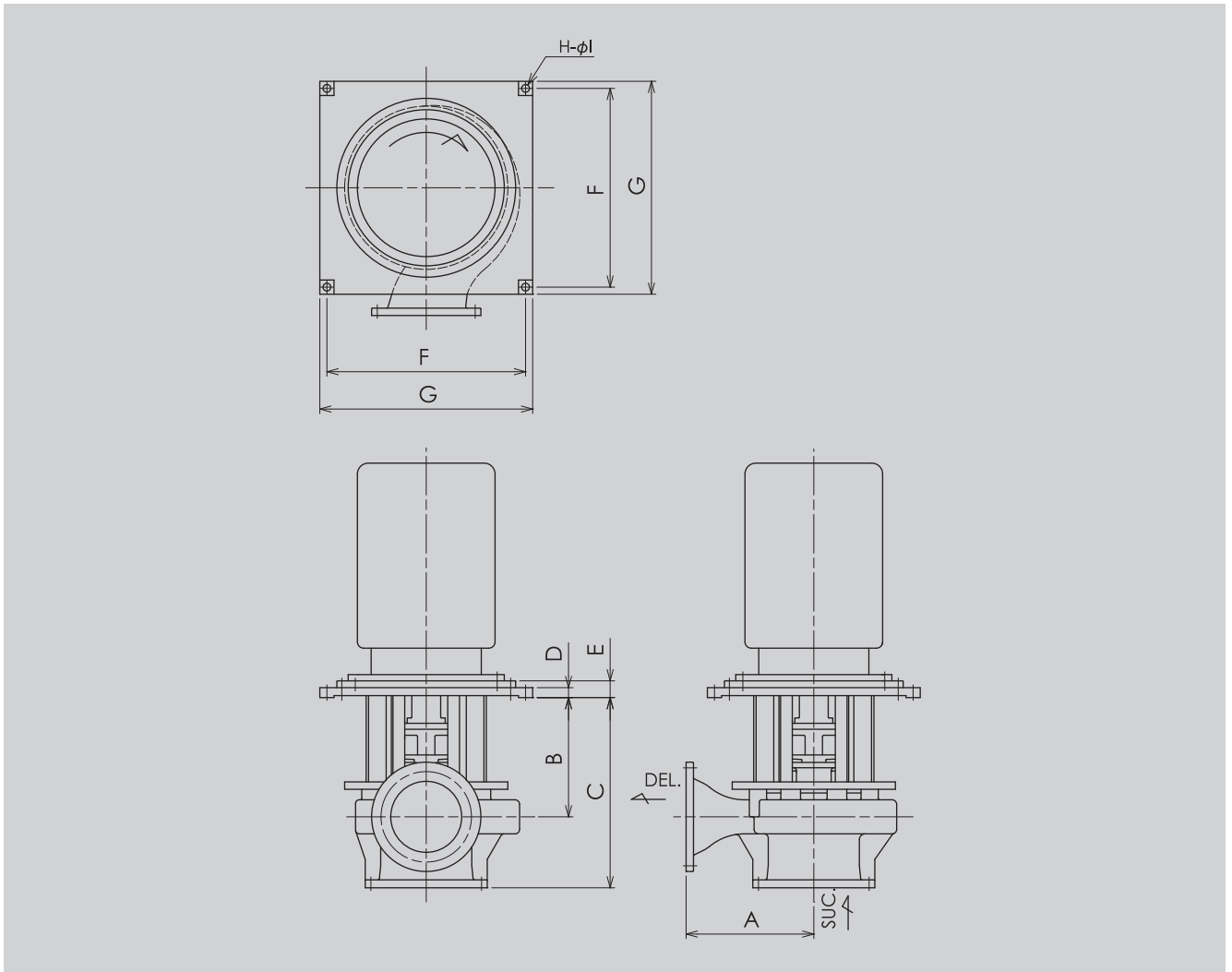
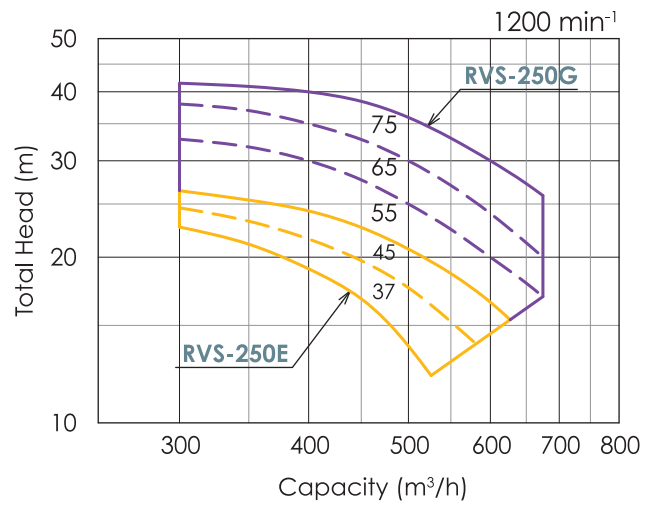
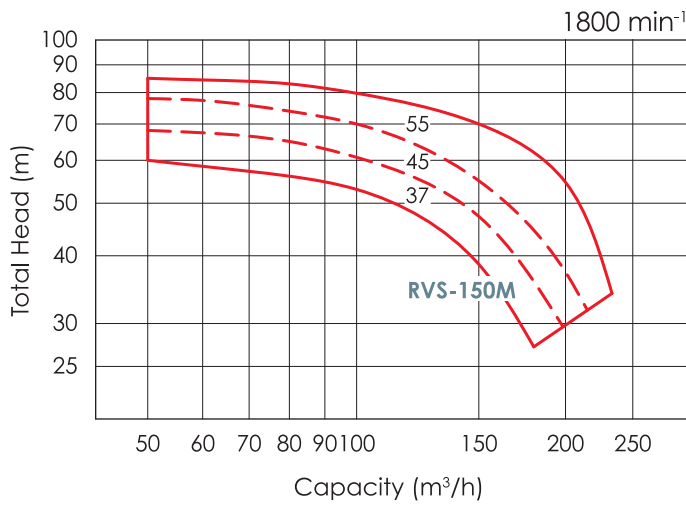


PART NO.	NAME OF PART	MATERIAL NOMINATION	QTY.
01	CASING	CAST IRON / BRONZE CASTING	1
02	CASING COVER	CAST IRON / BRONZE CASTING	1
10	IMPELLER	PHOSPHOR BRONZE CASTING / STAINLESS STEEL CASTING	1
11	PUMP SHAFT	STAINLESS STEEL	1
18	IMPELLER BOLT	STAINLESS STEEL	1
18B	SPRING WASHER	STAINLESS STEEL	1
22	MOUTH RING	LEADED BRONZE CASTING	2
23	IMPELLER WASHER	STAINLESS STEEL	1
24	NECK BUSH	CARBON	1
30	RETAINING RING	STAINLESS STEEL	1
32	MECHANICAL SEAL	SPECIAL MECHA.	1 SET
33	MECHANICAL SEAL STOPPER	STAINLESS STEEL	1

PART NO.	NAME OF PART	MATERIAL NOMINATION	QTY.
36	GLAND COVER	BRONZE CASTING	1
50	MOTOR FRAME	MILD STEEL	1
50A	INNER FRAME	MILD STEEL	1
53	RIGID COUPLING	CAST IRON	1
54	COUPLING BOLT	MILD STEEL	1 SET
54D	WASHER	HIGH CARBON STEEL WIRE ROD	1 SET
62	SET BOLT	MILD STEEL	1
63	THRUST WASHER	CARBON STEEL	1
64	WASHER	HIGH CARBON STEEL WIRE ROD	1
66	O RING	SYNTHETIC RUBBER	1
K10	KEY FOR IMPELLER	STAINLESS STEEL	1

RVS MODEL PERFORMANCE CHART

VERTICAL SINGLE STAGE SINGLE SUCTION



Dimensions : mm

Model	Bore(JIS)		A	B	C	D	E	F	G	H	I	Mass (kg)
	Suc.	Del.										
■ RVS-150M	5K-200	5K-150	400	420	620	35	59	700	750	4	27	340
■ RVS-250E	5K-300	5K-250	450	420	670	35	59	700	750	4	27	370
■ RVS-250G	5K-300	5K-250	450	420	670	35	59	700	750	4	27	430