

# CENTRIFUGAL PUMP

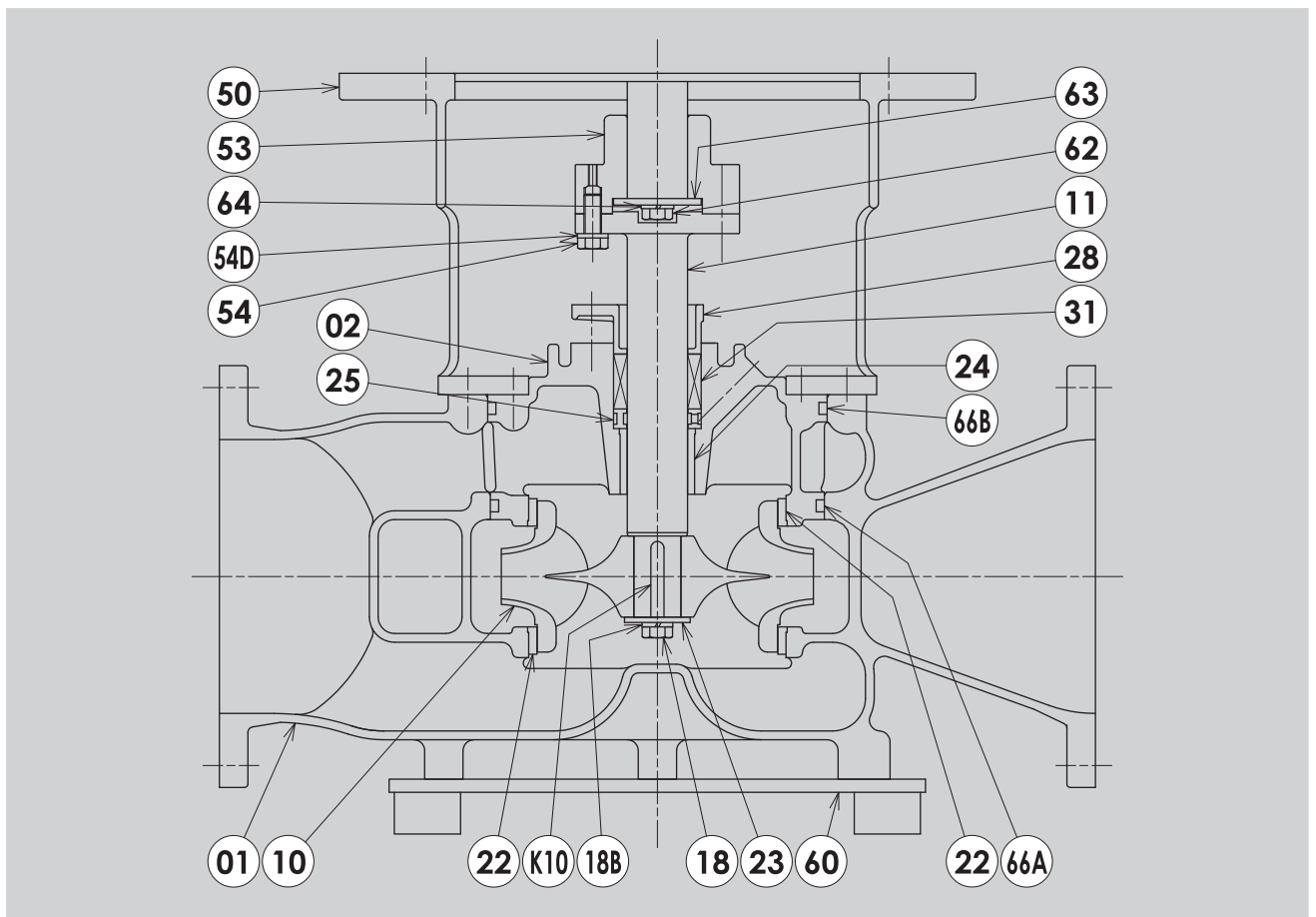
## RVD Model



RVD MODEL

### 用途/Service

- \* 冷却海水ポンプ
  - \* 冷却清水ポンプ
  - \* バラストポンプ
  - \* その他
- \* Cooling Sea Water Pump
  - \* Cooling Fresh Water Pump
  - \* Ballast Pump
  - \* Others

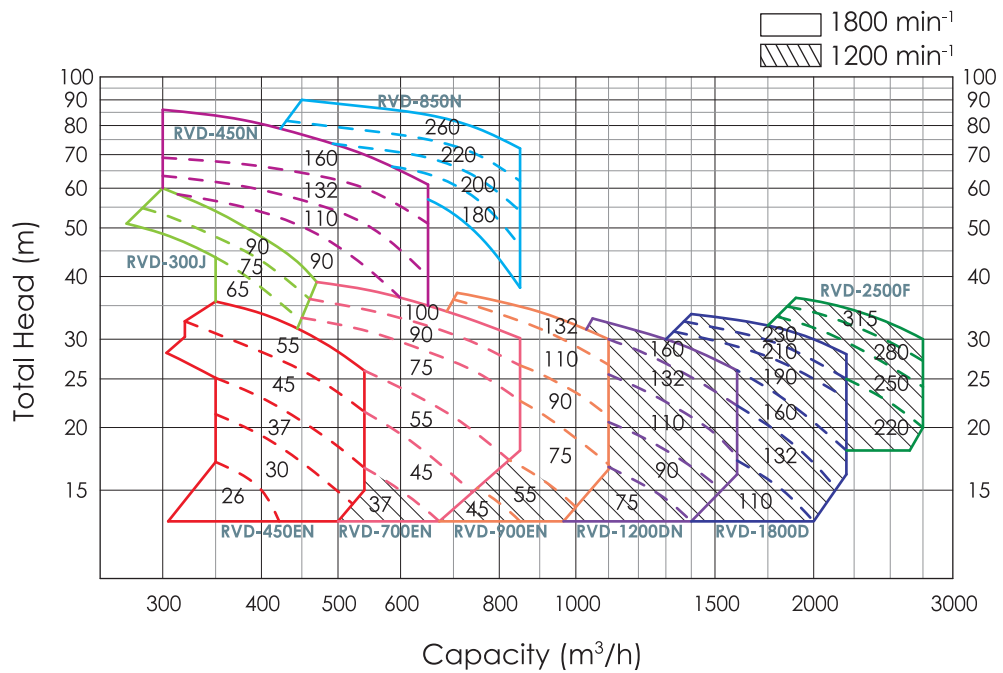


| PART NO. | NAME OF PART    | MATERIAL NOMINATION                               | QTY.  |
|----------|-----------------|---|-------|
| 01       | CASING          | CAST IRON / BRONZE CASTING                        | 1     |
| 02       | CASING COVER    | CAST IRON / BRONZE CASTING                        | 1     |
| 10       | IMPELLER        | PHOSPHOR BRONZE CASTING / STAINLESS STEEL CASTING | 1     |
| 11       | PUMP SHAFT      | STAINLESS STEEL                                   | 1     |
| 18       | IMPELLER BOLT   | STAINLESS STEEL                                   | 1     |
| 18B      | SPRING WASHER   | STAINLESS STEEL                                   | 1     |
| 22       | MOUTH RING      | LEADED BRONZE CASTING                             | 2     |
| 23       | IMPELLER WASHER | STAINLESS STEEL                                   | 1     |
| 24       | NECK BUSH       | CARBON  | 1     |
| 25       | SEAL CAGE       | BRONZE CASTING                                    | 1     |
| 28       | PACKING GLAND   | BRONZE CASTING                                    | 1     |
| 31       | GLAND PACKING   | CARBONIZED FIBER PACKING                          | 1 SET |

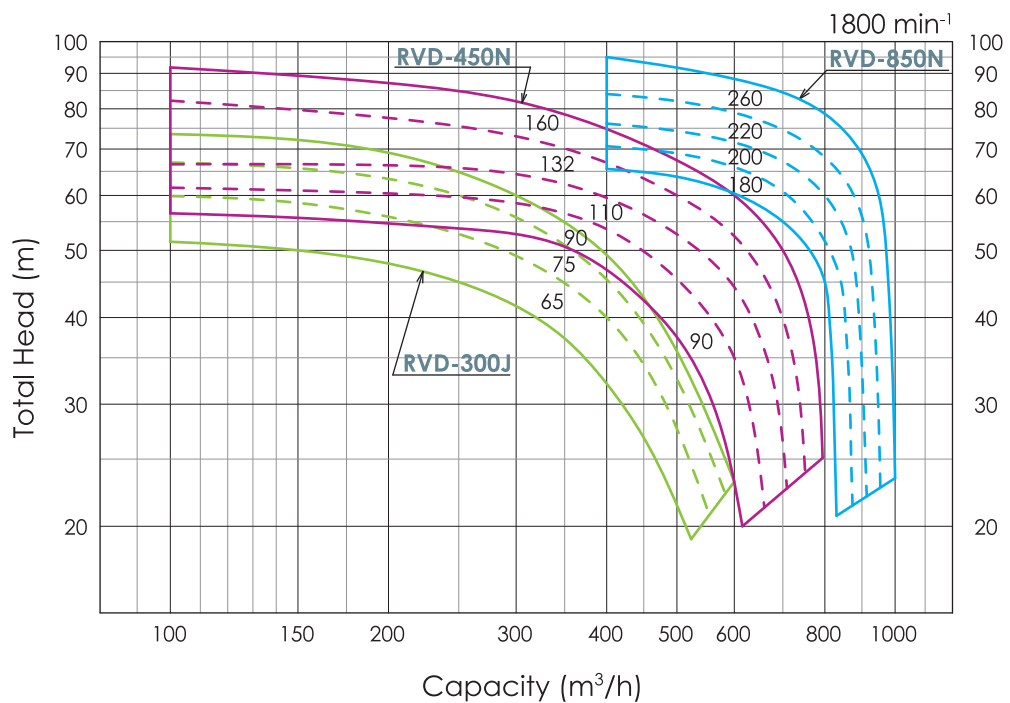
| PART NO. | NAME OF PART     | MATERIAL NOMINATION        | QTY.  |
|----------|------------------|----------------------------|-------|
| 50       | MOTOR FRAME      | CAST IRON                  | 1     |
| 53       | RIGID COUPLING   | CAST IRON                  | 1     |
| 54       | COUPLING BOLT    | MILD STEEL                 | 1 SET |
| 54D      | WASHER           | HIGH CARBON STEEL WIRE ROD | 1 SET |
| 60       | PUMP BED         | MILD STEEL                 | 1     |
| 62       | SET BOLT         | MILD STEEL                 | 1     |
| 63       | THRUST WASHER    | CARBON STEEL               | 1     |
| 64       | WASHER           | HIGH CARBON STEEL WIRE ROD | 1     |
| 66A      | O RING           | SYNTHETIC RUBBER           | 1     |
| 66B      | O RING           | SYNTHETIC RUBBER           | 1     |
| K10      | KEY FOR IMPELLER | STAINLESS STEEL            | 1     |

# RVD MODEL PERFORMANCE CHART

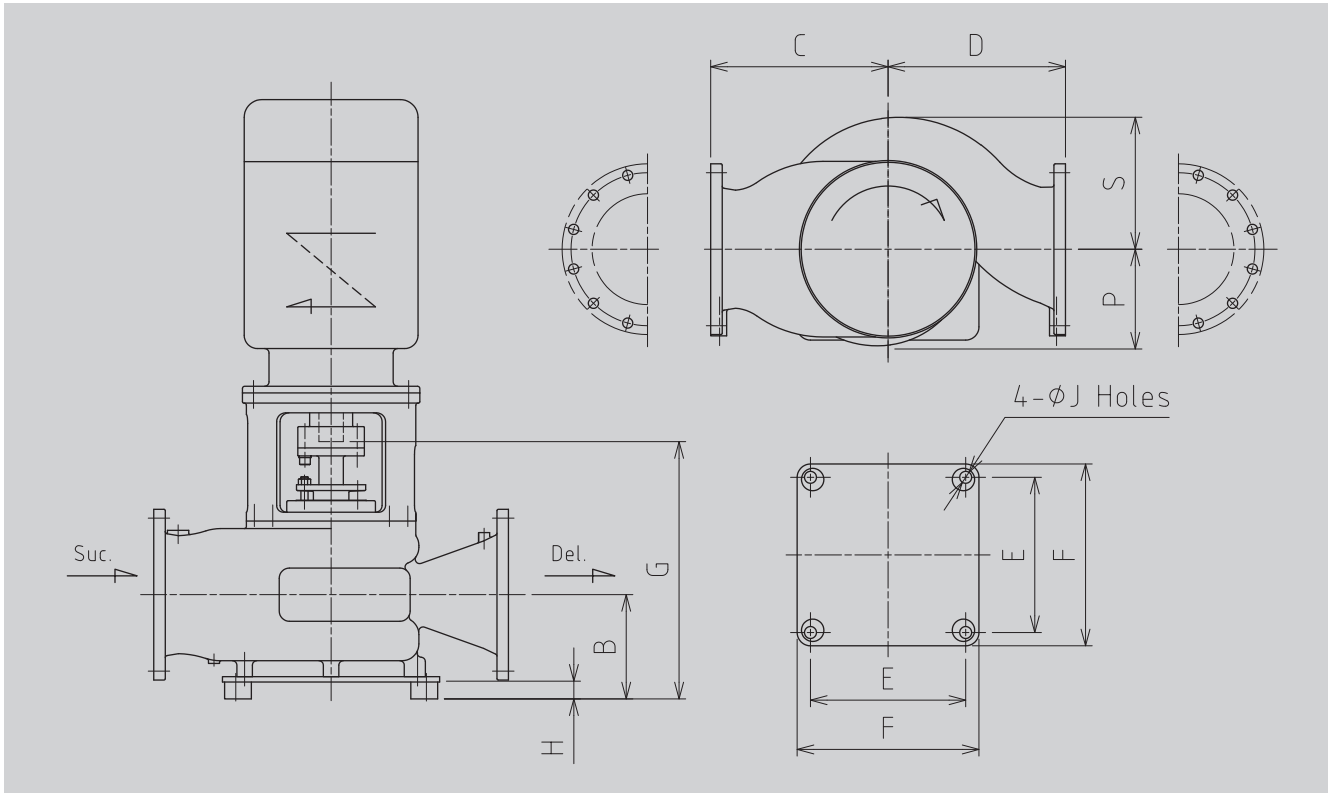
## VERTICAL SINGLE STAGE DOUBLE SUCTION



## VERTICAL SINGLE STAGE DOUBLE SUCTION (For Two Purposes)



# RVD MODEL OUTLINE DRAWING



Dimensions : mm

| Model        | Bore(JIS) |         | B   | C   | D   | E   | F   | G      | H  | J  | P   | S   | Mass (kg) |
|--------------|-----------|---------|-----|-----|-----|-----|-----|--------|----|----|-----|-----|-----------|
|              | Suc.      | Del.    |     |     |     |     |     |        |    |    |     |     |           |
| ■ RVD-450EN  | 5K-250    | 5K-250  | 235 | 400 | 400 | 430 | 490 | 580    | 50 | 27 | 275 | 298 | 450       |
| ■ RVD-700EN  | 5K-300    | 5K-300  | 285 | 450 | 470 | 490 | 560 | 681    | 70 | 33 | 330 | 375 | 525       |
| ■ RVD-900EN  | 5K-350    | 5K-350  | 325 | 500 | 500 | 550 | 620 | 752    | 80 | 33 | 330 | 388 | 620       |
| ■ RVD-1200DN | 5K-400    | 5K-400  | 365 | 600 | 650 | 670 | 740 | 808    | 80 | 33 | 370 | 501 | 740       |
| ■ RVD-1800D  | 5K-450    | 5K-450  | 400 | 700 | 750 | 780 | 850 | 1153.5 | 90 | 33 | 468 | 615 | 930       |
| ■ RVD-2500F  | 5K-500    | 5K-500  | 430 | 750 | 750 | 780 | 850 | 964    | 90 | 33 | 425 | 570 | 1300      |
| ■ RVD-300J   | 5K-250    | 10K-250 | 235 | 400 | 400 | 430 | 490 | 587    | 50 | 27 | 275 | 320 | 390       |
| ■ RVD-450N   | 5K-300    | 10K-300 | 290 | 450 | 450 | 550 | 620 | 689    | 80 | 33 | 330 | 369 | 640       |
| ■ RVD-850N   | 5K-300    | 10K-300 | 325 | 480 | 480 | 550 | 620 | 759    | 80 | 33 | 330 | 381 | 650       |