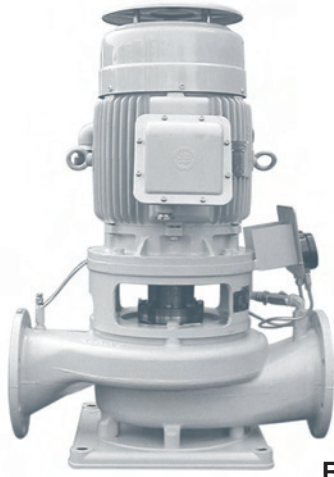


# CENTRIFUGAL PUMP

## RVA Model

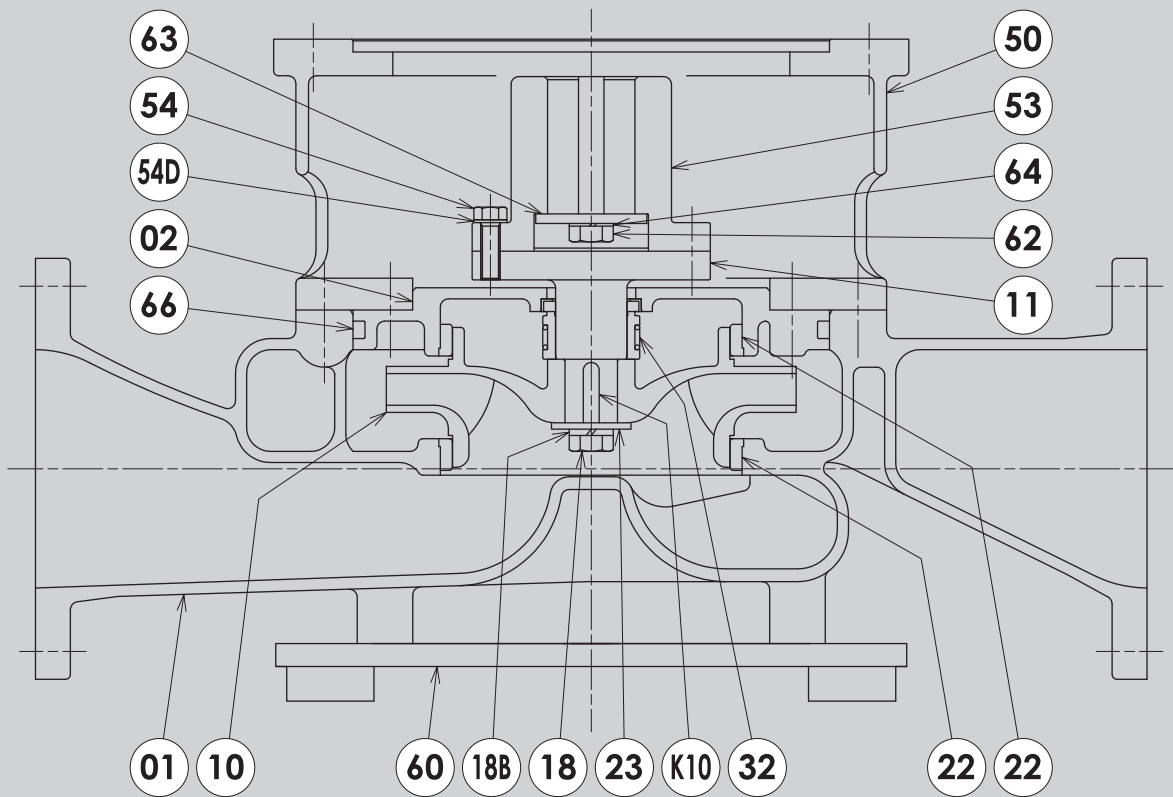


RVA MODEL

用途/Service

- \* 冷却海水ポンプ
  - \* 冷却清水ポンプ
  - \* 海水サービスポンプ
  - \* その他
- \* Cooling Sea Water Pump
  - \* Cooling Fresh Water Pump
  - \* Sea Water Service Pump
  - \* Others

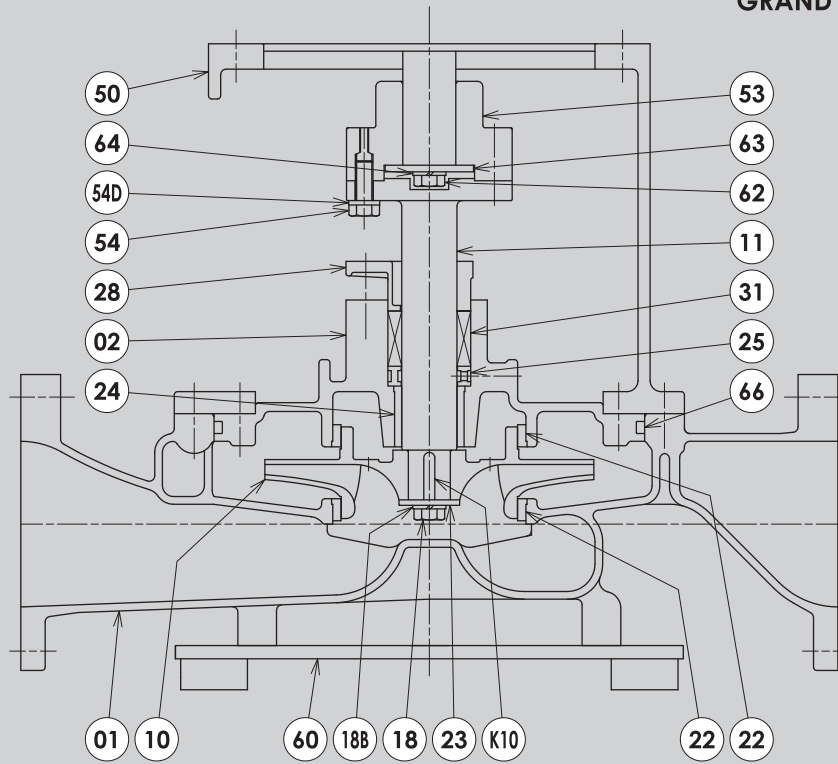
MECHANICAL SEAL MODEL



PART NO.	NAME OF PART	MATERIAL NOMINATION	QTY.
01	CASING	CAST IRON / BRONZE CASTING	1
02	CASING COVER	CAST IRON / BRONZE CASTING	1
10	IMPELLER	PHOSPHOR BRONZE CASTING / STAINLESS STEEL CASTING	1
11	PUMP SHAFT	STAINLESS STEEL	1
18	IMPELLER BOLT	STAINLESS STEEL	1
18B	SPRING WASHER	STAINLESS STEEL	1
22	MOUTH RING	LEADED BRONZE CASTING	2
23	IMPELLER WASHER	STAINLESS STEEL	1
32	MECHANICAL SEAL		1 SET
50	MOTOR FRAME	CAST IRON	1

PART NO.	NAME OF PART	MATERIAL NOMINATION	QTY.
53	RIGID COUPLING	CAST IRON	1
54	COUPLING BOLT	MILD STEEL	1 SET
54D	WASHER	HIGH CARBON STEEL WIRE ROD	1 SET
60	PUMP BED	MILD STEEL	1
62	SET BOLT	MILD STEEL	1
63	THRUST WASHER	CARBON STEEL	1
64	WASHER	HIGH CARBON STEEL WIRE ROD	1
66	O RING	SYNTHETIC RUBBER	1
K10	KEY FOR IMPELLER	STAINLESS STEEL	1

**GRAND PACKING MODEL**

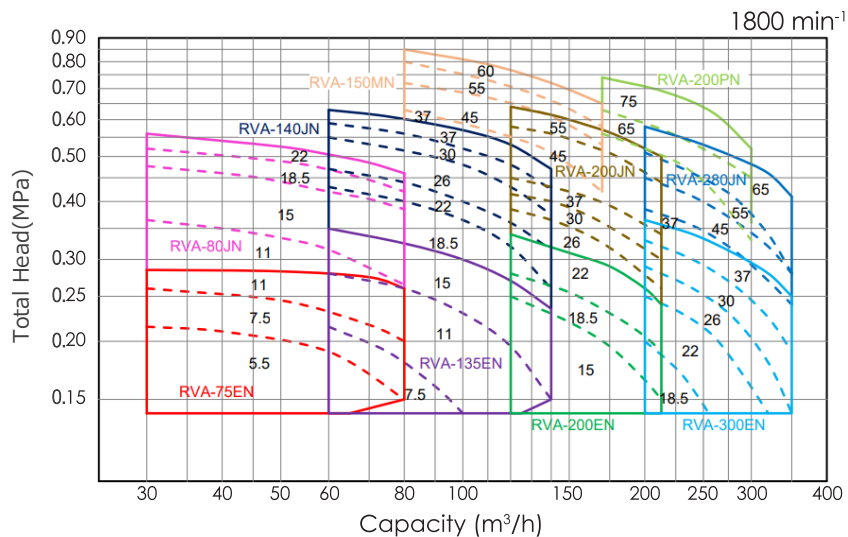


PART NO.	NAME OF PART	MATERIAL NOMINATION	QTY.
01	CASING	CAST IRON / BRONZE CASTING	1
02	CASING COVER	CAST IRON / BRONZE CASTING	1
10	IMPELLER	PHOSPHOR BRONZE CASTING / STAINLESS STEEL CASTING	1
11	PUMP SHAFT	STAINLESS STEEL	1
18	IMPELLER BOLT	STAINLESS STEEL	1
18B	SPRING WASHER	STAINLESS STEEL	1
22	MOUTH RING	LEADED BRONZE CASTING	2
23	IMPELLER WASHER	STAINLESS STEEL	1
24	NECK BUSH	CARBON	1
25	SEAL CAGE	BRONZE CASTING	1
28	PACKING GLAND	BRONZE CASTING	1

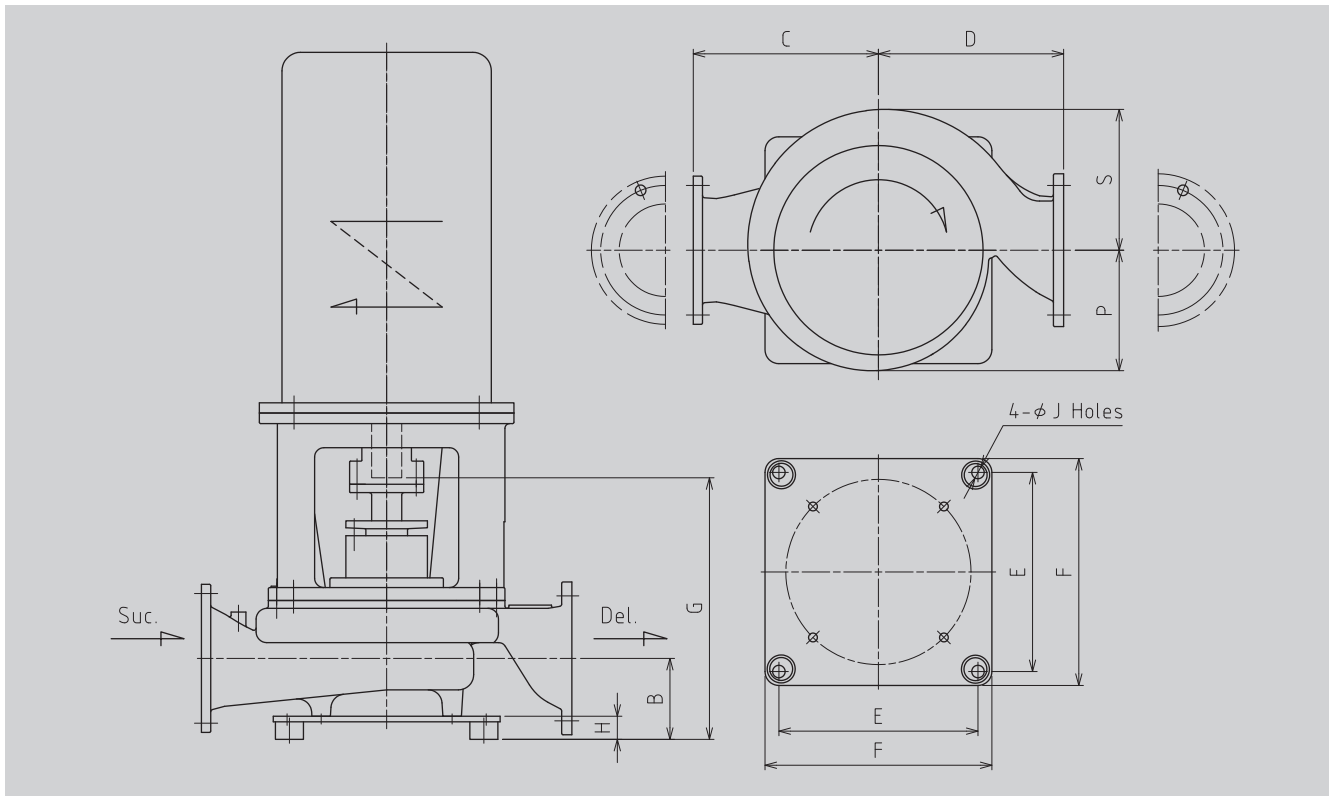
PART NO.	NAME OF PART	MATERIAL NOMINATION	QTY.
31	GLAND PACKING	CARBONIZED FIBER PACKING	1 SET
50	MOTOR FRAME	CAST IRON	1
53	RIGID COUPLING	CAST IRON	1
54	COUPLING BOLT	MILD STEEL	1 SET
54D	WASHER	HIGH CARBON STEEL WIRE ROD	1 SET
60	PUMP BED	MILD STEEL	1
62	SET BOLT	MILD STEEL	1
63	THRUST WASHER	CARBON STEEL	1
64	WASHER	HIGH CARBON STEEL WIRE ROD	1
66	O RING	SYNTHETIC RUBBER	1
K10	KEY FOR IMPELLER	STAINLESS STEEL	1

# RVA MODEL PERFORMANCE CHART

## VERTICAL SINGLE STAGE SINGLE SUCTION



# RVA MODEL OUTLINE DRAWING



Dimensions : mm

Model	Bore(JIS)		B	C	D	E	F	G	H	J	P	S	Mass (kg)
	Suc.	Del.											
■ RVA-75EN	5K-100	5K-100	120	305	305	270	330	396	40	27	175	175	165
■ RVA-80JN	5K-100	5K-100	125	350	350	350	410	411	40	27	221	240	260
	5K-125	5K-125	140	350	350	350	410	438.5	40	27	221	240	
■ RVA-135EN	5K-125	5K-125	135	305	305	270	330	423.5	40	27	181	196	190
	5K-125	5K-125	140	370	370	400	460	452.5	40	27	231	269	
■ RVA-140JN	5K-150	5K-150	150	370	370	400	460	475	40	27	231	269	310
	5K-150	5K-150	150	370	370	400	460	475	40	27	231	269	
■ RVA-200EN	5K-150	5K-150	150	350	350	350	410	461	40	27	205	238	240
	5K-150	5K-150	155	400	400	430	490	487	50	27	245	284	
■ RVA-200JN	5K-200	5K-200	175	400	400	430	490	532	50	27	245	284	380
	5K-200	5K-200	175	400	400	430	490	532	50	27	245	284	
■ RVA-300EN	5K-200	5K-200	175	370	370	400	460	520	40	27	230	263	260
	5K-200	5K-200	190	400	400	430	490	562	50	27	275	297	
■ RVA-280JN	5K-250	5K-250	220	400	400	430	490	617	50	27	275	297	460
	5K-250	5K-250	220	400	400	430	490	617	50	27	275	297	
■ RVA-150MN	5K-150	10K-150	165	400	400	430	490	508	50	27	275	304	410
	5K-200	5K-200	175	400	400	430	490	565	50	27	275	304	
■ RVA-200PN	5K-200	5K-200	175	400	400	430	490	565	50	27	275	304	430
	5K-200	10K-200	175	400	400	430	490	565	50	27	275	304	

## RVA MECHANICAL SEAL TYPE

Dimensions : mm

Model	Bore(JIS)		B	C	D	E	F	G	H	J	P	S	Mass (kg)
	Suc.	Del.											
■ RVA-75EN	5K-100	5K-100	120	305	305	270	330	270.5	40	27	175	175	160
■ RVA-80JN	5K-100	5K-100	125	350	350	350	410	266.5	40	27	221	240	255
	5K-125	5K-125	140	350	350	350	410	294	40	27	221	240	
■ RVA-135EN	5K-125	5K-125	135	305	305	270	330	298	40	27	181	196	185
	5K-125	5K-125	140	370	370	400	460	293.5	40	27	231	269	
■ RVA-140JN	5K-150	5K-150	150	370	370	400	460	316	40	27	231	269	305
	5K-150	5K-150	150	370	370	400	460	316	40	27	231	269	
■ RVA-200EN	5K-150	5K-150	150	350	350	350	410	310.5	40	27	205	238	235
	5K-150	5K-150	155	400	400	430	490	324	50	27	245	284	
■ RVA-200JN	5K-200	5K-200	175	400	400	430	490	369	50	27	245	284	375
	5K-200	5K-200	175	400	400	430	490	369	50	27	245	284	
■ RVA-300EN	5K-200	5K-200	175	370	370	400	460	355.5	40	27	230	263	255
	5K-200	5K-200	190	400	400	430	490	393.5	50	27	275	297	
■ RVA-280JN	5K-250	5K-250	220	400	400	430	490	448.5	50	27	275	297	455
	5K-250	5K-250	220	400	400	430	490	448.5	50	27	275	297	
■ RVA-200PN	5K-200	5K-200	175	400	400	430	490	396.5	50	27	275	304	425
	5K-200	10K-200	175	400	400	430	490	396.5	50	27	275	304	