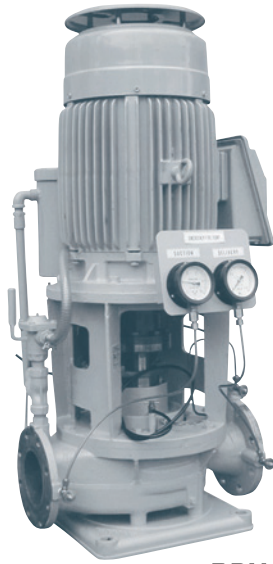


CENTRIFUGAL PUMP

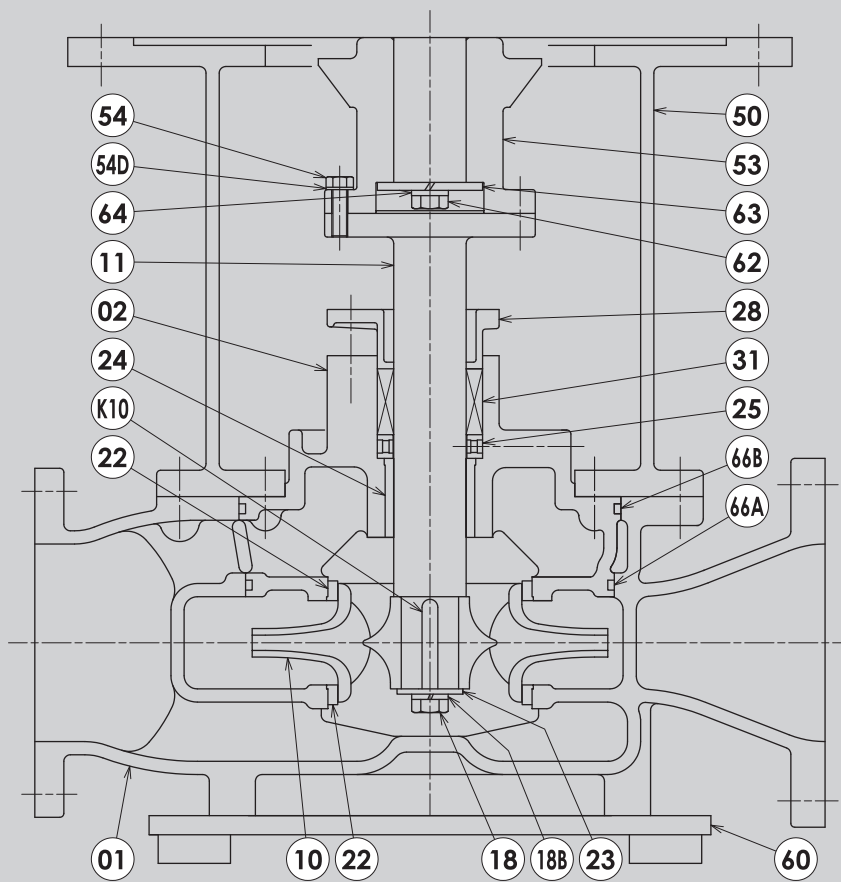
RDY Model



RDY MODEL

用途/Service

- * 消防兼雑用水ポンプ
- * 消防兼ビルジ、バラストポンプ
- * 非常用消防ポンプ
- * その他
- * Fire & G.S. Pump
- * Fire & Bilge, Ballast Pump
- * Emergency Fire Pump
- * Others



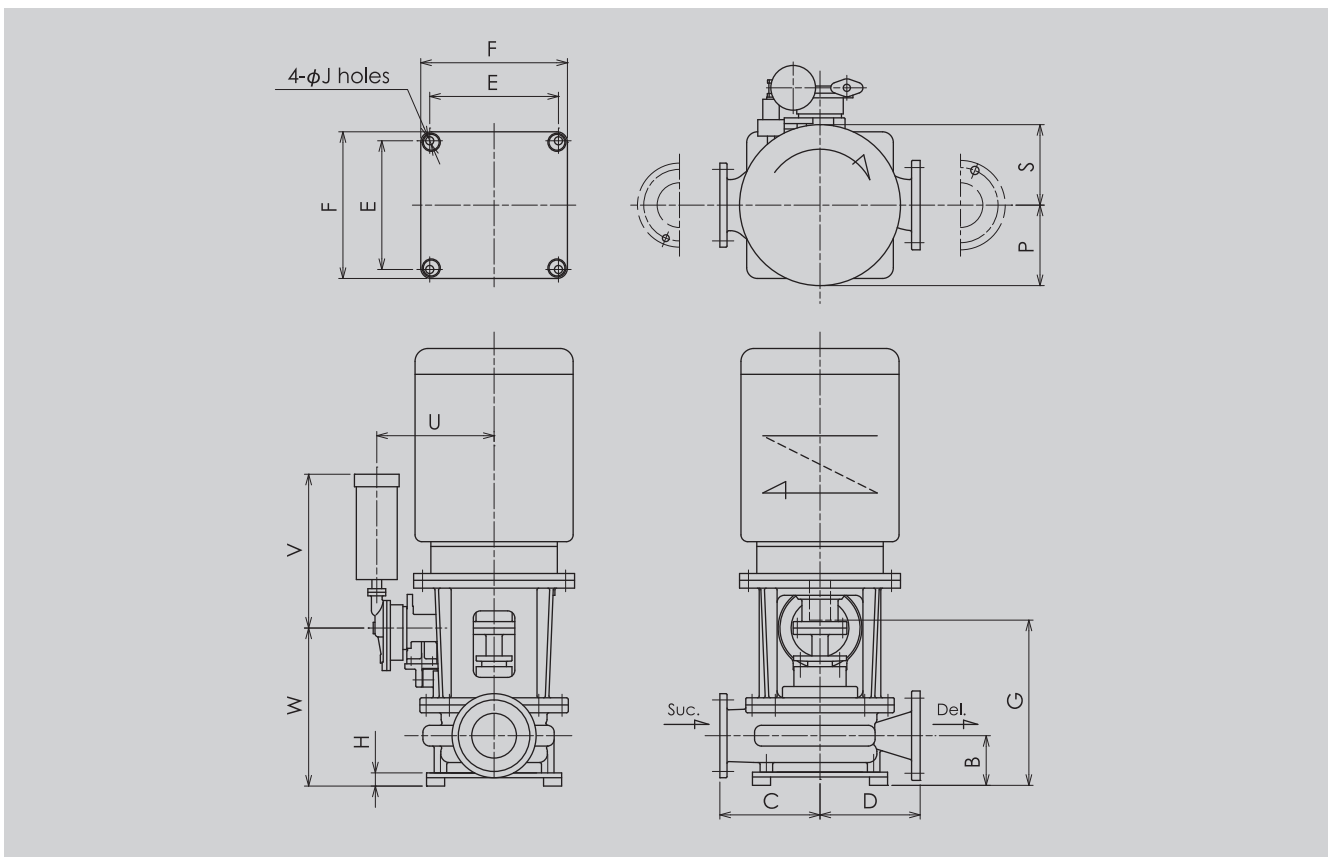
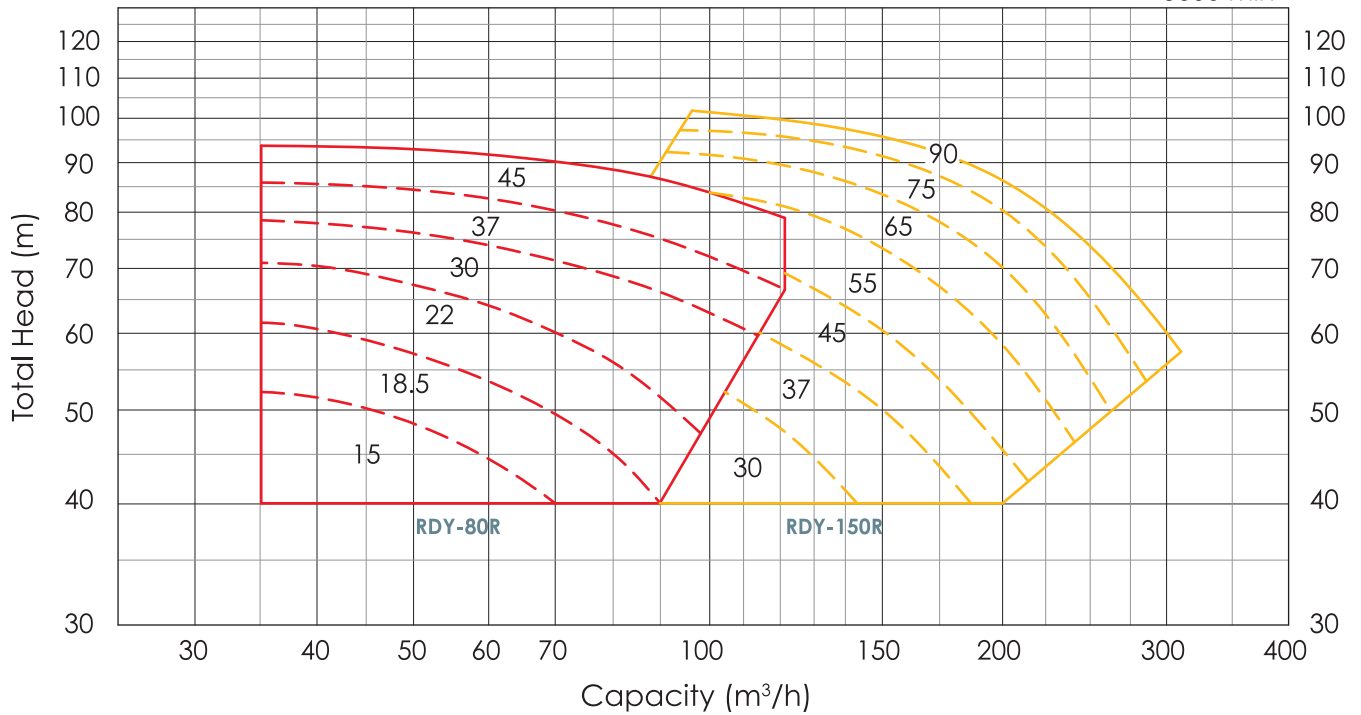
PART NO.	NAME OF PART	MATERIAL NOMINATION	QTY.
01	CASING	CAST IRON / BRONZE CASTING	1
02	CASING COVER	CAST IRON / BRONZE CASTING	1
10	IMPELLER	PHOSPHOR BRONZE CASTING / STAINLESS STEEL CASTING	1
11	PUMP SHAFT	STAINLESS STEEL	1
18	IMPELLER BOLT	STAINLESS STEEL	1
18B	SPRING WASHER	STAINLESS STEEL	1
22	MOUTH RING	LEADED BRONZE CASTING	2
23	IMPELLER WASHER	STAINLESS STEEL	1
24	NECK BUSH	CARBON	1
25	SEAL CAGE	BRONZE CASTING	1
28	PACKING GLAND	BRONZE CASTING	1
31	GLAND PACKING	CARBONIZED FIBER PACKING	1 SET

PART NO.	NAME OF PART	MATERIAL NOMINATION	QTY.
50	MOTOR FRAME	CAST IRON	1
53	RIGID COUPLING	DUCTILE CAST IRON	1
54	COUPLING BOLT	MILD STEEL	1 SET
54D	WASHER	HIGH CARBON STEEL WIRE ROD	1 SET
60	PUMP BED	MILD STEEL	1
62	SET BOLT	MILD STEEL	1
63	THRUST WASHER	CARBON STEEL	1
64	WASHER	HIGH CARBON STEEL WIRE ROD	1
66A	O RING	SYNTHETIC RUBBER	1
66B	O RING	SYNTHETIC RUBBER	1
K10	KEY FOR IMPELLER	STAINLESS STEEL	1

RDY MODEL PERFORMANCE CHART

VERTICAL SINGLE STAGE DOUBLE SUCTION

3600 min⁻¹



Dimensions : mm

Model	Bore(JIS)		B	C	D	E	F	G	H	J	P	S	U	V	W	Mass (kg)
	Suc.	Del.														
■ RDY-80R	5K-125	10K-125	145	280	280	350	410	469.5	40	27	225	225	400	430	446	230
■ RDY-150R	5K-200	10K-200	180	350	350	430	490	529.5	50	27	275	275	470	530	506	400