

# CENTRIFUGAL PUMP

## HLY Model



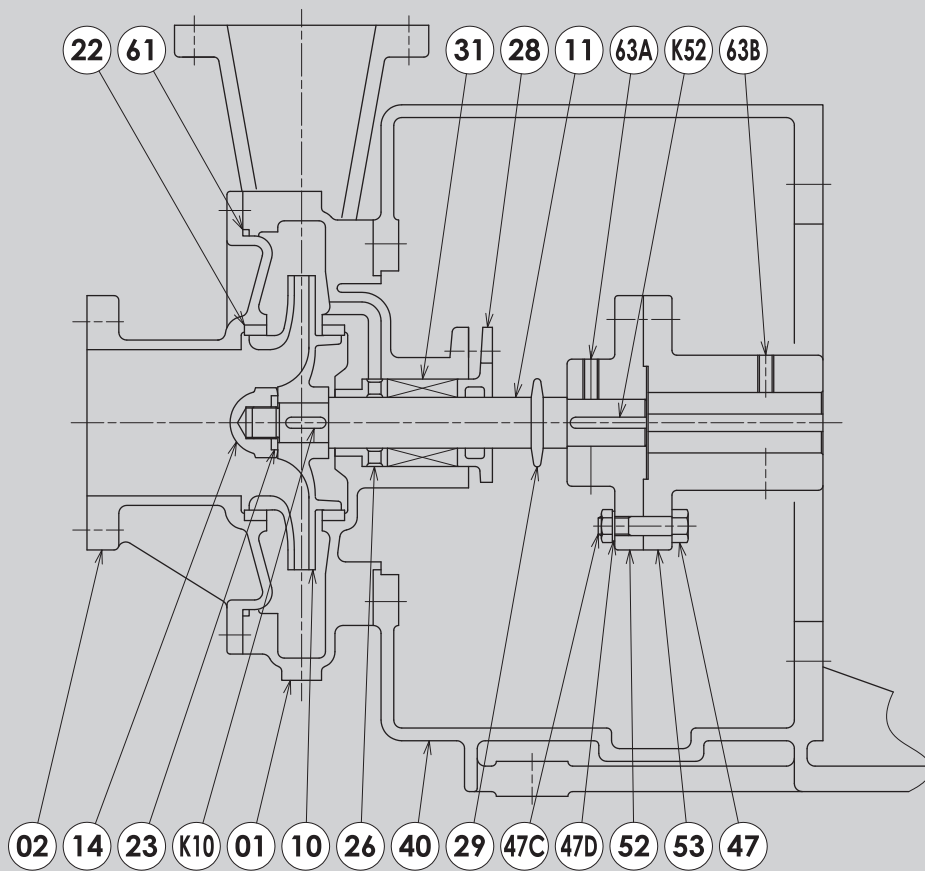
HLY MODEL

### 用途/Service

- \* 清水ポンプ
  - \* 飲料水ポンプ
  - \* その他
- \* Fresh Water Pump
  - \* Drinking Water Pump
  - \* Others

### 特徴/Note

- \* 横置き、縦型壁掛式の兼用モデル
- \* This model is available for both Horizontal and Vertical wall mount installation.

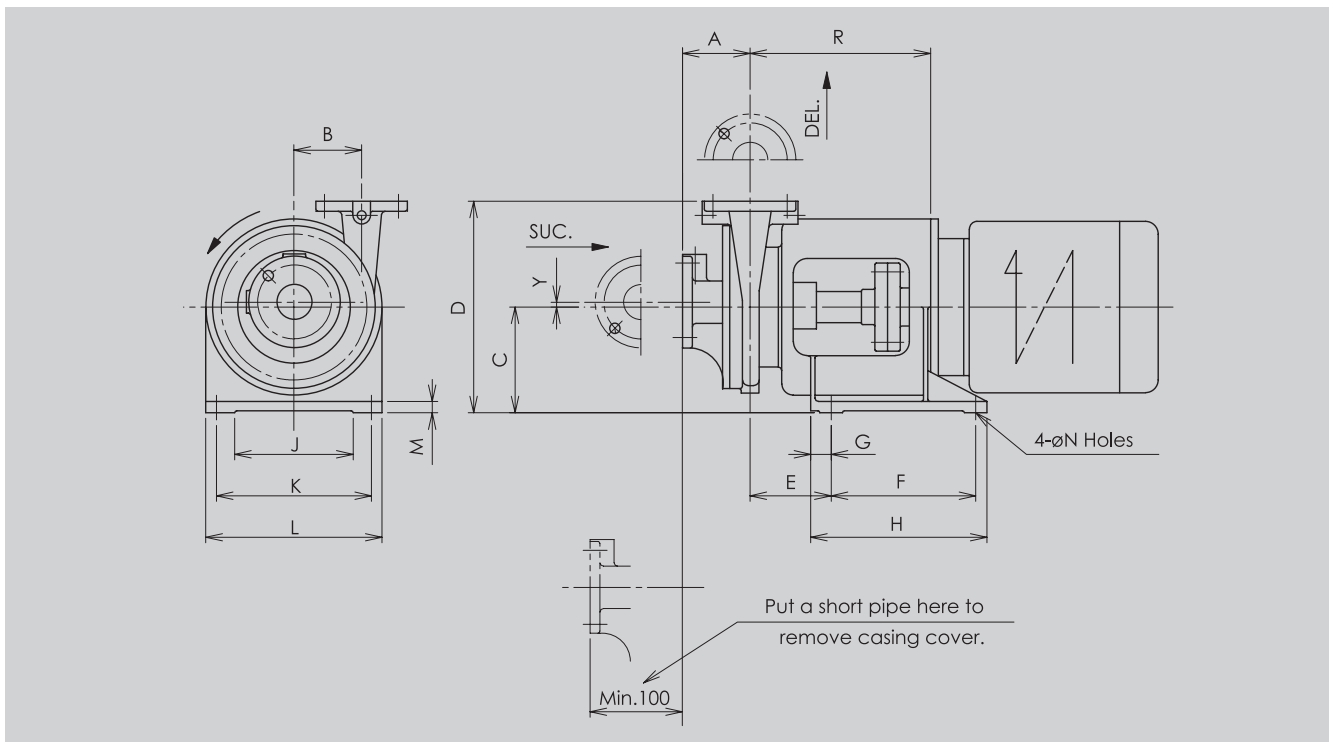
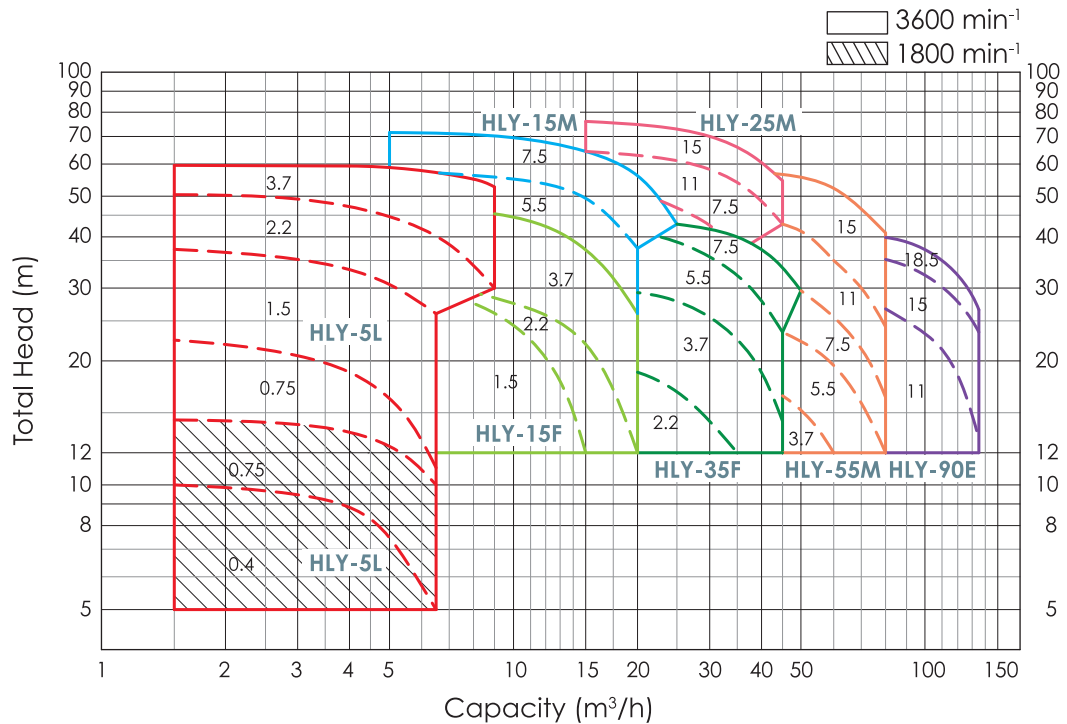


PART NO.	NAME OF PART	MATERIAL NOMINATION	QTY.
01	CASING	CAST IRON / BRONZE CASTING	1
02	CASING COVER	CAST IRON / BRONZE CASTING	1
10	IMPELLER	PHOSPHOR BRONZE CASTING / STAINLESS STEEL CASTING	1
11	PUMP SHAFT	STAINLESS STEEL	1
14	IMPELLER NUT	HIGH TENSION BRASS	1
22	MOUTH RING	LEADED BRONZE CASTING	2
23	IMPELLER WASHER	STAINLESS STEEL	1
26	SEAL BUSH	LEADED BRONZE CASTING	1
28	PACKING GLAND	BRONZE CASTING	1
29	WATER SHELTER	SYNTHETIC RUBBER	1
31	GLAND PACKING	CARBONIZED FIBER PACKING	1 SET

PART NO.	NAME OF PART	MATERIAL NOMINATION	QTY.
40	PUMP FRAME	CAST IRON	1
47	COUPLING BOLT	MILD STEEL	1 SET
47C	NUT	MILD STEEL	1 SET
47D	SPRING WASHER	HIGH CARBON STEEL WIRE ROD	1 SET
52	RIGID COUPLING	CAST IRON	1
53	RIGID COUPLING	CAST IRON	1
61	O RING	SYNTHETIC RUBBER	1
63A	SET BOLT	MILD STEEL	2
63B	SET BOLT	MILD STEEL	2
K10	KEY FOR IMPELLER	STAINLESS STEEL	1
K52	KEY FOR COUPLING	CARBON STEEL	1

# HLY MODEL PERFORMANCE CHART

## HORIZONTAL SINGLE STAGE SINGLE SUCTION



Dimensions : mm

Model	Bore(JIS)		A	B	C	D	E	F	G	H	J	K	L	M	N	R	Y	Mass (kg)
	Suc.	Del.																
■ HLY-5L	5K-32	5K-32	96	95	150	300	115	205	29	250	168	220	250	16	15	256	6.5	40
■ HLY-15F	5K-50	5K-50	96	96	150	300	115	205	29	250	168	220	250	16	15	256	0	50
■ HLY-15M	5K-50	5K-50	110	120	175	375	125	245	35	300	196	260	300	18	19	286	0	55
■ HLY-35F	5K-100	5K-100	115	105	175	385	125	245	35	300	196	260	300	18	19	286	-7.5	70
■ HLY-25M	5K-65	5K-65	120	120	235	445	145	335	42.5	400	284	355	400	22	23	328	9.5	80
■ HLY-55M	5K-100	5K-100	135	120	235	445	145	335	42.5	400	284	355	400	22	23	328	-4	121
■ HLY-90E	5K-125	5K-125	130	120	235	415	150	335	42.5	400	284	355	400	22	23	333	0	180



HSN-KIKAI KOGYO CO.,LTD.