

# BILGE SEPARATOR

## Feature

### 1. Easy Maintenance / Cleaning

Overhaul is available from the front side.

### 2. Easy Installation & Piping

As the position of bilge inlet, treated water outlet, separated oil outlet are all in the same direction, installation and piping work is efficiently made.

### 3. World Smallest Size

As compactly designed, on-board retrofit work can be easily achieved on the same base where existing Bilge Separator is fitted.

**SEPARATION PROCESS / OUTLINE** ▶

**PIPING ARRANGEMENT** ▶

**OPTION** ▶

**BILGE ALARM** ▶

# BILGE SEPARATOR <SEPARATION PROCESS / OUTLINE>

## Separation Process

### 1. First Stage (Multi-parallel plate)

Oil particles grow large through multi-parallel plates, and corrected oil is periodically and automatically discharged.

### 2. Second Stage (Emulsion breaker)

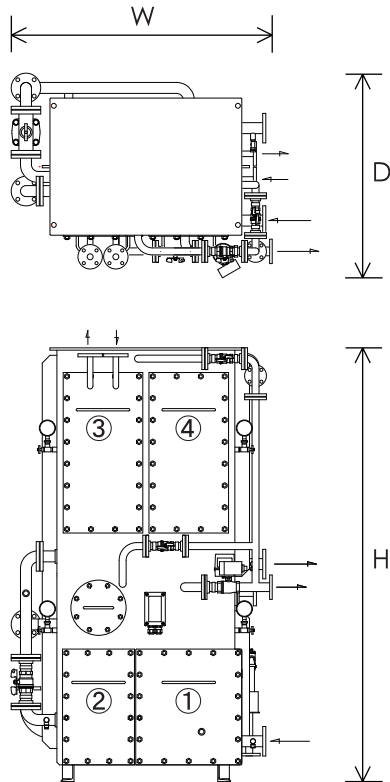
Emulsion is de-emulsified to change to original oil.

### 3. Third Stage (Coalescer)

More than 90% of de-emulsified oil is separated by coalescer.

### 4. Fourth Stage (Fine Coalescer)

Final separation is achieved in this stage to discharge clean water overboard.

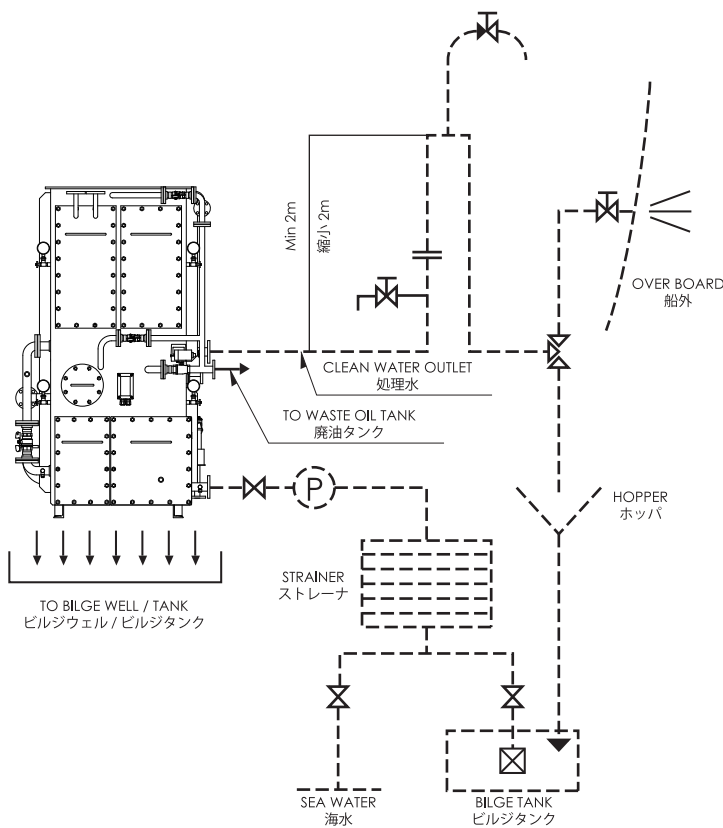


## Standard Components

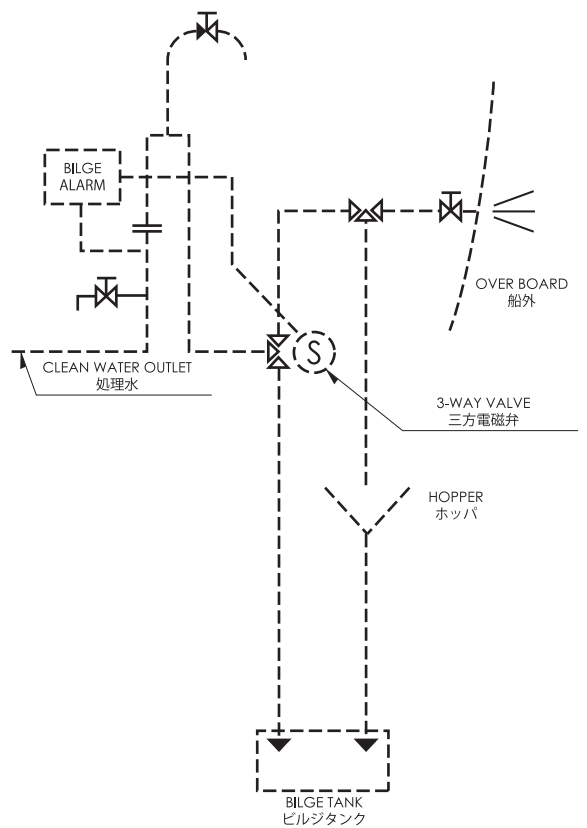
1. Relief valve
2. Pressure Gauge
3. T-shape strainer
4. Oil level probe
5. Oil Discharge valve
6. Automatic Discharge valve

処理内容 Rated Capacity (m <sup>3</sup> / h)	型式 Model	寸法				重量 / Weights (kg)	
		W		D	H	空水	満水
		製品 / Body	製品 / Body	メンテナンス / M.S.	製品 / Body	Empty	Full
0.5	HFM-50	722	480	600	1156	254	375
1	HFM-100	877	570	600	1341	392	632
2	HFM-200	1017	797	600	1689	656	1141
3	HFM-300	1128	867	600	1797	820	1548
5	HFM-500	1351	1022	600	2067	1230	2410

# BILGE SEPARATOR <PIPING ARRANGEMENT>



Without Bilge Alarm  
(For ships of 400 - 10,000 G/T)



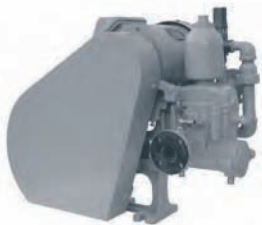
With Bilge Alarm & Automatic 3-way Valve  
(For ships of above 10,000 G/T)

# BILGE SEPARATOR <OPTION>

## Option

- Bilge Pump
- 15ppm Bilge Alarm
- Automatic 3-way valve
- Pressure adjusting valve
- Oil level detector
- Steam heater

Bilge Pump



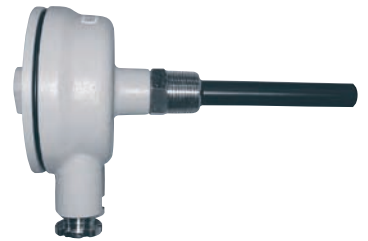
15ppm Bilge Alarm



Pressure adjusting valve



Oil level detector



## 15 PPM BILGE ALARM



# BilgMon 488

### Main Features

- Unique system of onboard replacement of the measuring cell.
- Measuring cell simple to replace due to wireless design.
- Easy to operate with 4 only pushbuttons.
- Userfriendly menu.
- Compact design.
- 32 character LCD, with LED background light.
- Relays and input are protected by "PTC" resistor fuses. Fuses are reset by disconnection of power supply - no regular fuses to replace.
- System running status shown on LCD in real time.
- Suitable for both newbuildings, as well as existing ships.
- Can be attached to any oily water separator type.