

**FURUNO**

MODEL **FA-40/70**  
AIS RECEIVER/CLASS B+ TRANSCEIVER



FA-40 AIS Receiver  
FA-70 Class-B+ AIS Transceiver



[www.furuno.com](http://www.furuno.com)





**NMEA2000  
Certified**

**KEY FEATURES:**

- Silent Mode with optional ON/OFF switch
- Compact and light with wider range and faster transmit performance\*
- Internal VHF splitter eliminates need for separate antenna\*
- Switchable SO-TDMA and CS-TDMA\*
- NMEA2000 port, 2x NMEA0183 ports and a USB (micro B) port
- Initial setup can be done through the NMEA2000 network (TZT2/TZT3)

\*FA-70 ONLY

**MODEL FA-40/70**  
**AIS RECEIVER/CLASS B+ TRANSMITTER**

The FA-40/70 AIS receives the vessel's AIS information and other useful information from Class-B+ AIS that transmits your vessel's information at faster rates than typical Class B units. The FA-40/70 also guarantees an AIS time slot allocation, ensuring your vessel's information is received.

**SUPERBLY ACCURATE INFORMATION EXCHANGE**

MODEL	DYNAMIC DATA	STATIC DATA	VOYAGE RELATED DATA
<b>FA-40</b> INFORMATION TO BE RECEIVED	<ul style="list-style-type: none"> <li>• Ship's position</li> <li>• Coordinated Universal Time (UTC)</li> <li>• Course Over Ground (COG)</li> <li>• Speed Over Ground (SOG)</li> <li>• Rate Of Turn (ROT)</li> <li>• Heading</li> <li>• Navigation status</li> </ul>	<ul style="list-style-type: none"> <li>• MMSI (Maritime Mobile Service Identity)</li> <li>• IMO number</li> <li>• Ship's name</li> <li>• Ship's type</li> <li>• Call sign</li> <li>• Length and beam</li> <li>• Location of position-fixing antenna on ship</li> </ul>	<ul style="list-style-type: none"> <li>• Ship's draft</li> <li>• Hazardous cargo</li> <li>• Destination and ETA</li> </ul>
<b>FA-70</b> INFORMATION TO BE RECEIVED AND TRANSMITTED	<ul style="list-style-type: none"> <li>• Ship's position</li> <li>• Coordinated Universal Time (UTC)</li> <li>• Course Over Ground (COG)</li> <li>• Speed Over Ground (SOG)</li> <li>• Rate of Turn (ROT)*</li> <li>• Heading</li> </ul>	<ul style="list-style-type: none"> <li>• MMSI (Maritime Mobile Service Identity)</li> <li>• IMO number</li> <li>• Ship's name</li> <li>• Ship's type</li> <li>• Cargo</li> <li>• Call sign</li> <li>• Length and beam</li> <li>• Location of position-fixing antenna on ship</li> </ul>	

\*If transmitted by remote AIS

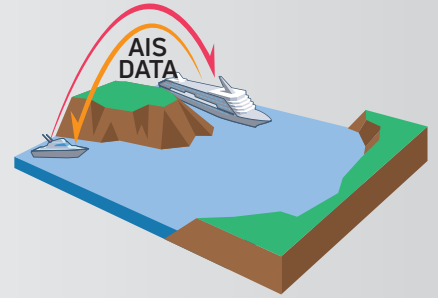
VHF/AIS ANTENNA

PC  
(testing and setup only)

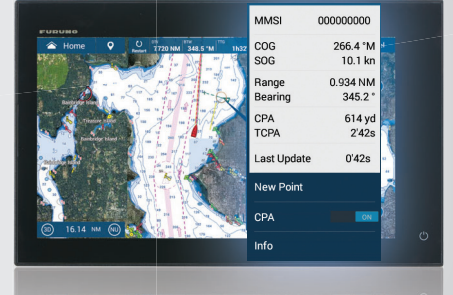




The Automatic Identification System (AIS) improves the safety level of boating by exchanging information about the status of your ship with other AIS-equipped craft nearby.



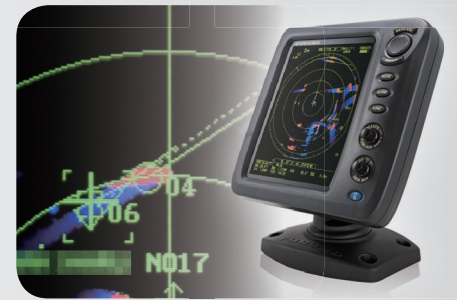
Simply tap on an AIS target to reveal critical information: Ship's name, COG, SOG, CPA, TCPA, Range and Bearing.



# FA-70

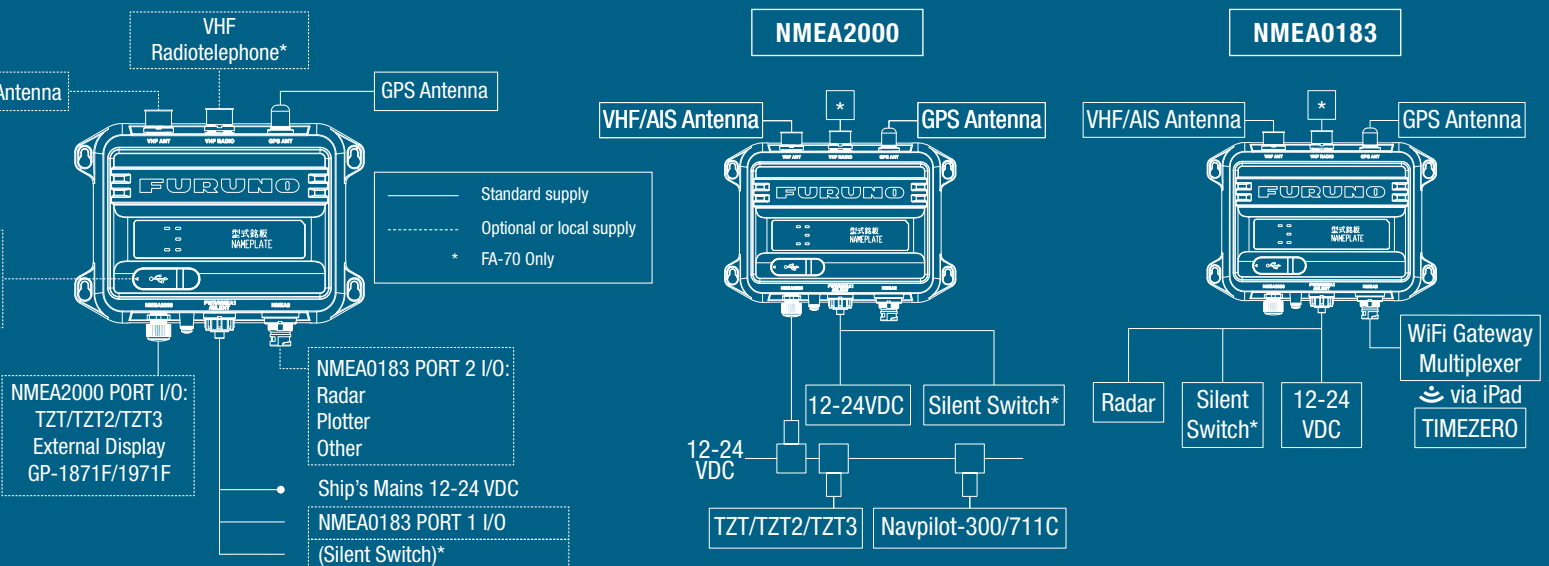
## CLASS B+ TRANSCEIVER

AIS targets are fully visible and predictable when interfacing with a compatible Furuno Radar.



... name, call sign, position, COG, SOG, ... surrounding vessels. The FA-70 is a ... vessel information at higher power & ... units for added awareness. SO-TDMA ... making you visible in congested waters.

## AND SIMPLE SETUP WITH NMEA2000/NMEA0183



MODEL	AIS RECEIVER	CLASS-B+ AIS TRANSCEIVER
	FA-40	FA-70

**STANDARDS**

	EN 303 413 V1.1.1, EN 301 843-1 V2.2.1 IEC 60945 Ed.4+CORR.1 IMO MSC.140 (76) ITU-R M.1371-5 IEC 62368-1 Ed.3	DSC: ITU-R M.825-3 IEC 62287-1 Ed.3.0, IEC 62287-2 Ed.2.0, IEC 62311 Ed.1+Ed.2
--	---	---

**TRANSPONDER UNIT**

TX/RX Frequency (FA-40/70: RX Frequency)		
Output Power	FA-40 Receive Only	Selectable: 5W or 1W (SO-TDMA), 2W (CS-TDMA)
Channel Spacing	25 kHz	

**GPS RECEIVER**

Receiving Channels	12 channels, SBAS 2 channels, 14 satellites tracking	
Rx Frequency	1575.42 MHz	
Rx Code	C/A code	
Position Accuracy	13 m (2 drms, HDOP <= 4)	

**INTERFACE**

NMEA0183	Input - 2 Ports	ACA, ACK, AIQ, DTM, GBS, GGA, GLL, GNS, HDT, OSD, RMC, SSD, THS, VBW, VSD, VTG	ABM*, ACK, AIQ, BBM*, HDT, SSD, THS, VSD *(ABM, BBM: SO-TDMA only)
	Output - 2 Ports	ABK, ACA, ACS, ALR, GGA, GLL, RMC, SSD, TXT, VDM, VDO, VER, VSD, VTG	
NMEA2000	Input - 1 Port	059392, 059904, 060160, 060416, 060928, 065240, 126208, 127250	
	Output - 1 Port	059392, 059904, 060928, 126208, 126464, 126992, 126993, 126996, 126998, 127258, 129025, 129026, 129029, 129038, 129039, 129040, 129041, 129540, 129792, 129793, 129794, 129795 <sup>1</sup> , 129796, 129797, 129798, 129800 <sup>2</sup> , 129801, 129802, 129803, 129804 <sup>1</sup> , 129805, 129806, 129807, 129809, 129810, 129811, 129812 <sup>1</sup> , 129813 <sup>3</sup>	

<sup>1</sup>(FA-40/FA-70: SO-TDMA mode only)  
<sup>2</sup>(FA-40: SO-TDMA mode only), <sup>3</sup>(FA-70: SO-TDMA mode only)

**ENVIRONMENT**

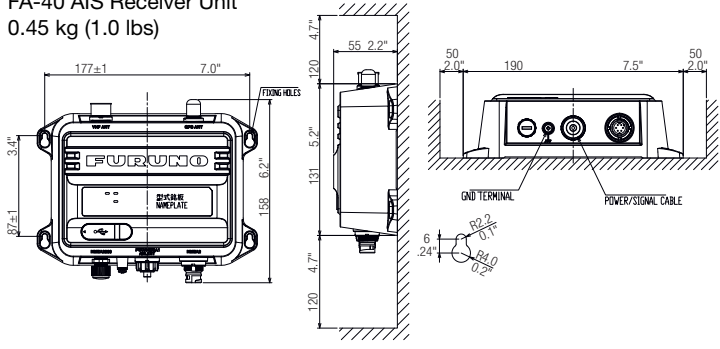
Temperature	Antenna Unit	-25°C to +70°C	
	Other Units	-15°C to +55°C	-15°C to +55°C
Waterproofing	Antenna Unit	IP56	
	Other Units	IP55	

**POWER SUPPLY**

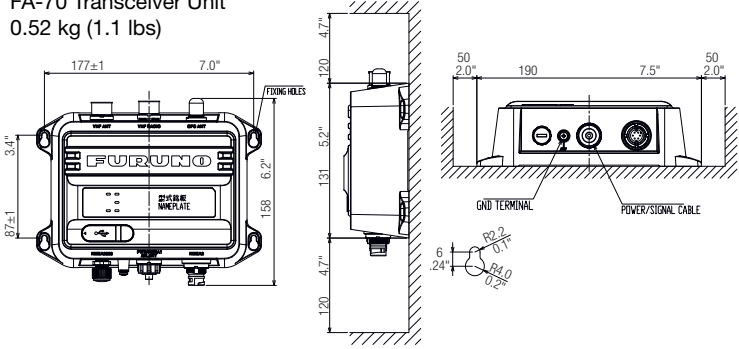
Transponder Unit (FA-40: Receiver Unit)	12-24 VDC, 0.3-0.2 A	12-24 VDC, 1.8-0.9 A
---	----------------------	----------------------

**UNIT DIAGRAMS**

FA-40 AIS Receiver Unit  
0.45 kg (1.0 lbs)



FA-70 Transceiver Unit  
0.52 kg (1.1 lbs)



Catalog No. 1-A-20033LB  
CA000001428

SPECIFICATIONS SUBJECT TO CHANGE WITHOUT NOTICE

**FURUNO ELECTRIC CO., LTD.**  
Japan www.furuno.com  
**FURUNO U.S.A., INC.**  
U.S.A. www.furunousa.com  
**FURUNO PANAMA S.A.**  
Republic of Panama www.furuno.com.pa  
**FURUNO (UK) LIMITED**  
U.K. www.furuno.co.uk  
**FURUNO NORGE A/S**  
Norway www.furuno.no

**FURUNO DANMARK A/S**  
Denmark www.furuno.dk  
**FURUNO SVERIGE AB**  
Sweden www.furuno.se  
**FURUNO FINLAND OY**  
Finland www.furuno.fi  
**FURUNO POLSKA Sp. z o.o.**  
Poland www.furuno.pl  
**FURUNO DEUTSCHLAND GmbH**  
Germany www.furuno.de

**FURUNO FRANCE S.A.S.**  
France www.furuno.fr  
**FURUNO ESPAÑA S.A.**  
Spain www.furuno.es  
**FURUNO ITALIA S.R.L.**  
Italy www.furuno.it  
**FURUNO HELLAS S.A.**  
Greece www.furuno.gr  
**FURUNO (CYPRUS) LTD**  
Cyprus www.furuno.com.cy

**FURUNO EURUS LLC**  
Russian Federation www.furuno.ru  
**FURUNO SHANGHAI CO., LTD.**  
China www.furuno.com/cn  
**FURUNO CHINA CO., LTD.**  
Hong Kong www.furuno.com/cn  
**FURUNO KOREA CO., LTD**  
Korea  
**FURUNO SINGAPORE**  
Singapore www.furuno.sg

**PT FURUNO ELECTRIC INDONESIA**  
Indonesia www.furuno.id  
**FURUNO ELECTRIC (MALAYSIA) SDN. BHD.**  
Malaysia www.furuno.com/my  
**BEWARE OF SIMILAR PRODUCTS**  
All brand and product names are trademarks, registered trademarks, or service marks for their respective holders.  
**SPECIFICATIONS SUBJECT TO CHANGE WITHOUT NOTICE**  
Printed in U.S.A.