

CLASS B AIS TRANSPONDER

Model

FA-50



The FA-50 offers accurate information exc for collision avoidance



FA-50 CLASS B AIS TRANSPONDER

with GPS antenna
GPA-017S

FURUNO's FA-50 class-B AIS transponder receives navigation data from AIS-equipped vessels nearby that can be utilized to aid in safe navigation. Also, the FA-50 transmits own ship's information to the vessels around, which also aids in collision avoidance.

AIS utilizes a VHF data link to exchange own ship information with other AIS-equipped vessels around. The FA-50 incorporates the received AIS information into a radar, a chart plotter and other graphic display options such as a PC to improve situational awareness. AIS targets on the screens are shown with SOG/COG

vector, which greatly assists you in grasping the surrounding situation even in the midst of congested waterways. Also, Closest Point of Approach (CPA) and Time to Closest Point of Approach (TCPA) can be computed and displayed on the radar/chart plotter screens.

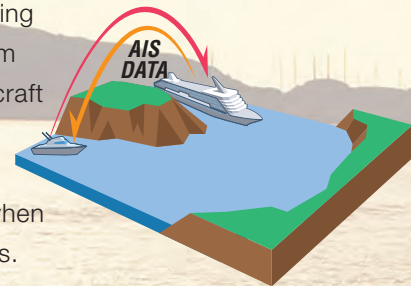
The FA-50 feeds AIS data to the NavNet Series through Ethernet. The FA-50 can also be interfaced with a FURUNO chart plotter and radar via NMEA 0183 format to supplement information to the onboard navigation system.

change that can be utilized

What is AIS?

The Automatic Identification System (AIS) improves the safety level of boating by exchanging information about the status of your ship with other AIS-equipped craft nearby. The system utilizes VHF broadcasts to handle information about the surrounding area, such as other craft and buoys and other aids-to-navigation.

The AIS data includes target position, course and speed over ground, allowing you to foresee the course changes of particular targets. AIS targets are constantly visible even when they are shrouded in fog, in darkness, behind headlands, river bends or other obstructions.



Comparison between Class-A and Class-B

	Class-A	Class-B
Vessel applied	SOLAS vessel	Non-SOLAS vessel
Access scheme	SOTDMA (Self Organized Time Division Multiple Access) Reserves a particular time slot and negotiates the use of that time slot with other Class-A vessels within radio range.	CSTDMA (Carrier Sensing Time Division Multiple Access) Uses any time slot as and when it is available. If no slot is available, Class-B AIS tries to access to the slot again after a pre-set time.
Frequency Range	156.025 - 162.025 MHz	156.025 - 162.025 MHz (Same as Class-A)
Update Interval	Variable by ship speed and course	2-step fixing by ship speed
	Ships status "at anchour" and not moving faster than 3 kt	3 min.
	Ships status "at anchour" and moving faster than 3 kt	10 sec.
	Ships operating in SOLAS mode, moving 0 - 14 kt	10 sec.
	Ship operating in SOLAS mode, moving 0 - 14 kt and changing course	3 1/3 sec.
	Ship operating in SOLAS mode, moving 14 - 23 kt	6 sec.
	Ship operating in SOLAS mode, moving 14 - 23 kt and changing course	2 sec.
	Ship operating in SOLAS mode, moving faster 23 kt	2 sec.
	Ship operating in SOLAS mode, moving faster 23 kt and changing course	2 sec.
		Moving less than 2 kt: 3 min. Moving faster than 2 kt: 30 sec.

- ▶ Fully satisfies the technical standards for Class-B AIS, IEC 62287-1
- ▶ Receives both Class-A and Class-B AIS information
- ▶ Enhances safe navigation by exchanging critical navigation information from AIS-equipped vessels nearby
- ▶ Greatly improves the level of the situational awareness even in fog, darkness or congested waterways
- ▶ Outputs data to NavNet and PC through Ethernet
- ▶ Flexible integration with various AIS compatible radar and chart plotters
- ▶ Sturdy design mounts easily on a bulkhead

Exchange that can be utilized



Information to be received

Dynamic Data

- Ship's position
- Course over ground (COG)
- Speed over ground (SOG)
- Rate of turn (ROT)
- Heading
- Navigation status*

Static Data

- MMSI (Maritime Mobile Service Identity)
- IMO number*
- Ship's name
- Type of ship
- Call sign
- Length and beam
- Location of position-fixing antenna on the ship

Voyage Related Data

- Ship's draft*
- Hazardous cargo
- Destination and ETA*

Safety-related messages

* Class-A AIS only

Information to be transmitted

Dynamic Data

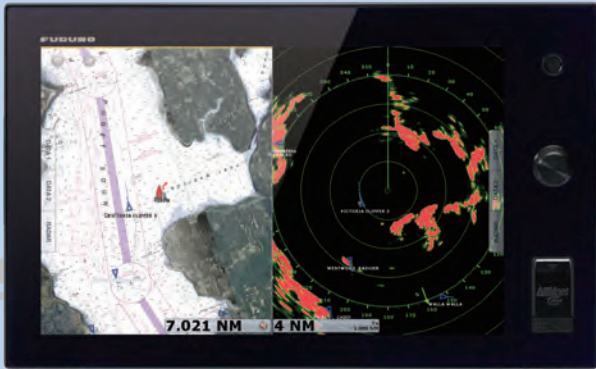
- Ship's position
- Coordinated universal time (UTC)
- Course over ground (COG)
- Speed over ground (SOG)
- Heading

Static Data

- MMSI (Maritime Mobile Service Identity)
- Ship's name
- Type of ship
- Cargo
- Call sign

Length and beam

- Location of position-fixing antenna on the ship



NAVnet TZT9
TZT14
TZ touch TZTBB(Black Box)



NAVnet TZTL12F
TZTL15F
TZ touch 2 TZT2BB(Black Box)

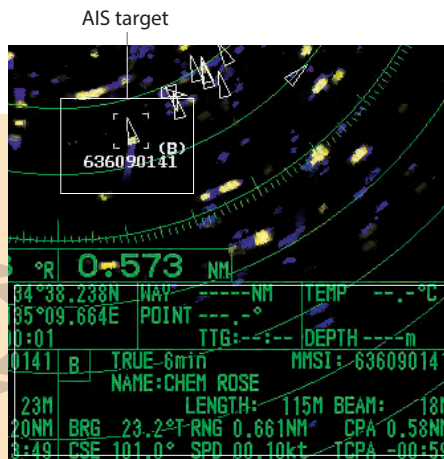


NavNet TZtouch2

When placing a cursor onto the AIS target, an AIS data window will pop up to display the following data of the target: Ship's name, COG, SOG, CPA, TCPA, Range and Bearing.



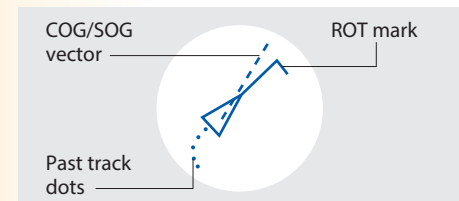
Radar FR-8xx5 series



AIS information

AIS target symbol

COG/SOG vector changes its length according to SOG.
ROT mark is viewable when the target vessel sends the information.
Past track dots enables you to evaluate the target's action.



SPECIFICATIONS OF

Model **FA-50**

STANDARDS

IMO MSC.140(76), IEC 62287-1, ITU-R M.1371-2,
DSC ITU R M.825-3, IEC 60945 Ed.4

TRANSPONDER UNIT

TX/RX Frequency 156.025 MHz to 162.025 MHz

GPS RECEIVER

Receiving Channels 12 channels parallel, 12 satellites tracking
Rx Frequency 1575.42 MHz
Rx Code C/A code
Position Accuracy 10 m (HDOP ≤4)

INTERFACE

COM RS-422/IEC 61162-1
Ethernet 10/100BASE-T
Input: ACK, BBM, DTM, GBS, GGA, GLL, GNS, HDT, OSD, RMC, SSD, VBW, VSD, VTG, AIQ, DSC, DSE, THS
Output: VDM, VDO, ABK, ACA, ACS, ALR, TXT

POWER SUPPLY

12-24 VDC 2.0-1.0 A

ENVIRONMENT

Temperature
Transponder Unit: -15 to +55°C
Antenna Unit: -30 to +70°C
Waterproofing
Transponder Unit: IP20
Antenna Unit: IP56

EQUIPMENT LIST

Standard

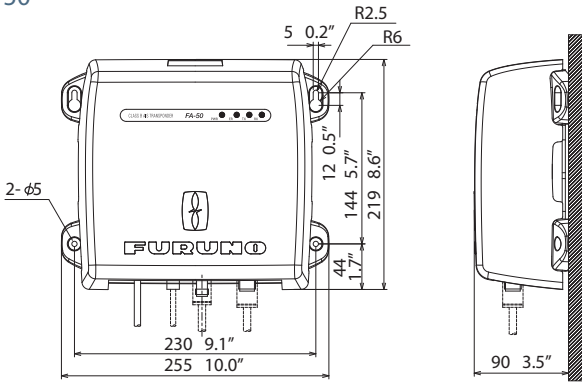
1. AIS Transponder FA-50
2. GPS Antenna GPA-017S or GPS/VHF Combined Antenna GVA-100-T with Distribution Box DB-1 (Optional VHF antenna is needed.)
3. Installation Materials and Spare Parts

Option

1. VHF Antenna CX4-3/FEC
2. Antenna Cable Set (30/50 m)
3. Antenna Base
4. Power Supply Unit PR-240
5. LAN Cable (2/10 m) for the connection with a PC
6. LAN Cable (1/5/10/20/30 m) for the connection with NavNet

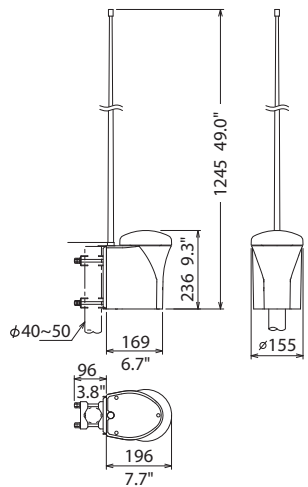
AIS TRANSPONDER FA-50

1.7 kg 3.7 lb



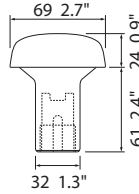
GPS/VHF Combined Antenna GVA-100-T

3.3 kg 7.3 lb

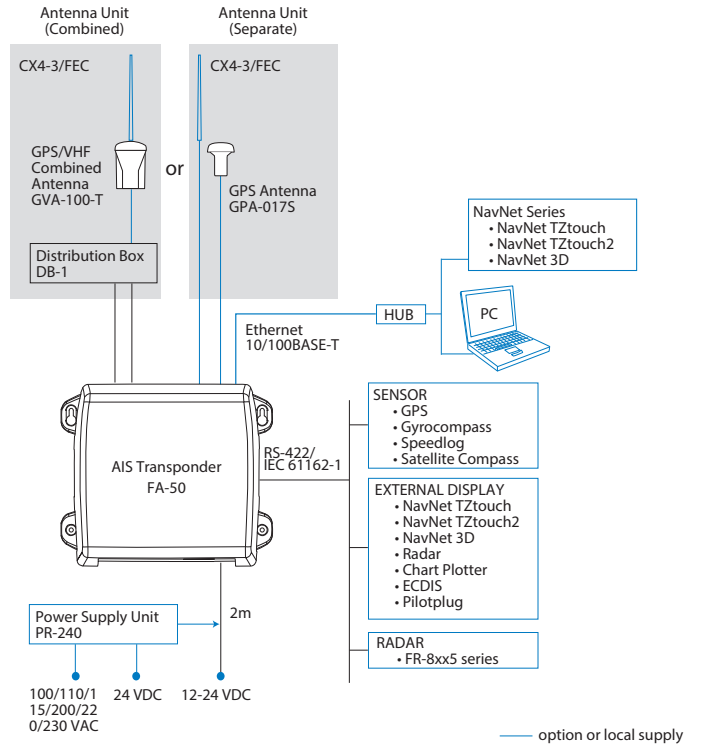


GPS Antenna GPA-017S

0.15 kg 0.3 lb



INTERCONNECTION DIAGRAM



* Usually FA-50 uses the internal GPS. When connecting the external GPS, use one which satisfies the following.
1) Outputs DTM sentence. (WGS-84 can be chosen.)
2) Outputs GBS sentence.
3) Outputs sentences with the mode indicator;
GNS: Ver. 3.0 or later GLL: Ver. 2.0 or later GGA: Ver. 2.0 or later RMC: Ver. 1.5 or later
4) The measured result of internal and external GPSs should be within 26 m. (These antenna should be located within 6 m.)

Beware of similar products

All brand and product names are registered trademarks, trademarks or service marks of their respective holders.

SPECIFICATIONS SUBJECT TO CHANGE WITHOUT NOTICE

FURUNO ELECTRIC CO., LTD.
Japan | www.furuno.com
FURUNO U.S.A., INC.
U.S.A. | www.furunousa.com
FURUNO PANAMA S.A.
Republic of Panama | www.furuno.com.pa
FURUNO (UK) LIMITED
U.K. | www.furuno.co.uk
FURUNO NORGE A/S
Norway | www.furuno.no

FURUNO DANMARK A/S
Denmark | www.furuno.dk
FURUNO SVERIGE AB
Sweden | www.furuno.se
FURUNO FINLAND OY
Finland | www.furuno.fi
FURUNO POLSKA Sp. z o.o.
Poland | www.furuno.pl
FURUNO DEUTSCHLAND GmbH
Germany | www.furuno.de

FURUNO FRANCE S.A.S.
France | www.furuno.fr
FURUNO ESPAÑA S.A.
Spain | www.furuno.es
FURUNO ITALIA S.R.L.
Italy | www.furuno.it
FURUNO HELLAS S.A.
Greece | www.furuno.gr
FURUNO (CYPRUS) LTD
Cyprus | www.furuno.com.cy

FURUNO EURUS LLC
Russian Federation | www.furuno.ru
FURUNO SHANGHAI CO., LTD.
China | www.furuno.com/cn
FURUNO CHINA CO., LTD.
Hong Kong | www.furuno.com/cn
FURUNO SINGAPORE
Singapore | www.furuno.sg

PT FURUNO ELECTRIC INDONESIA
Indonesia | www.furuno.id