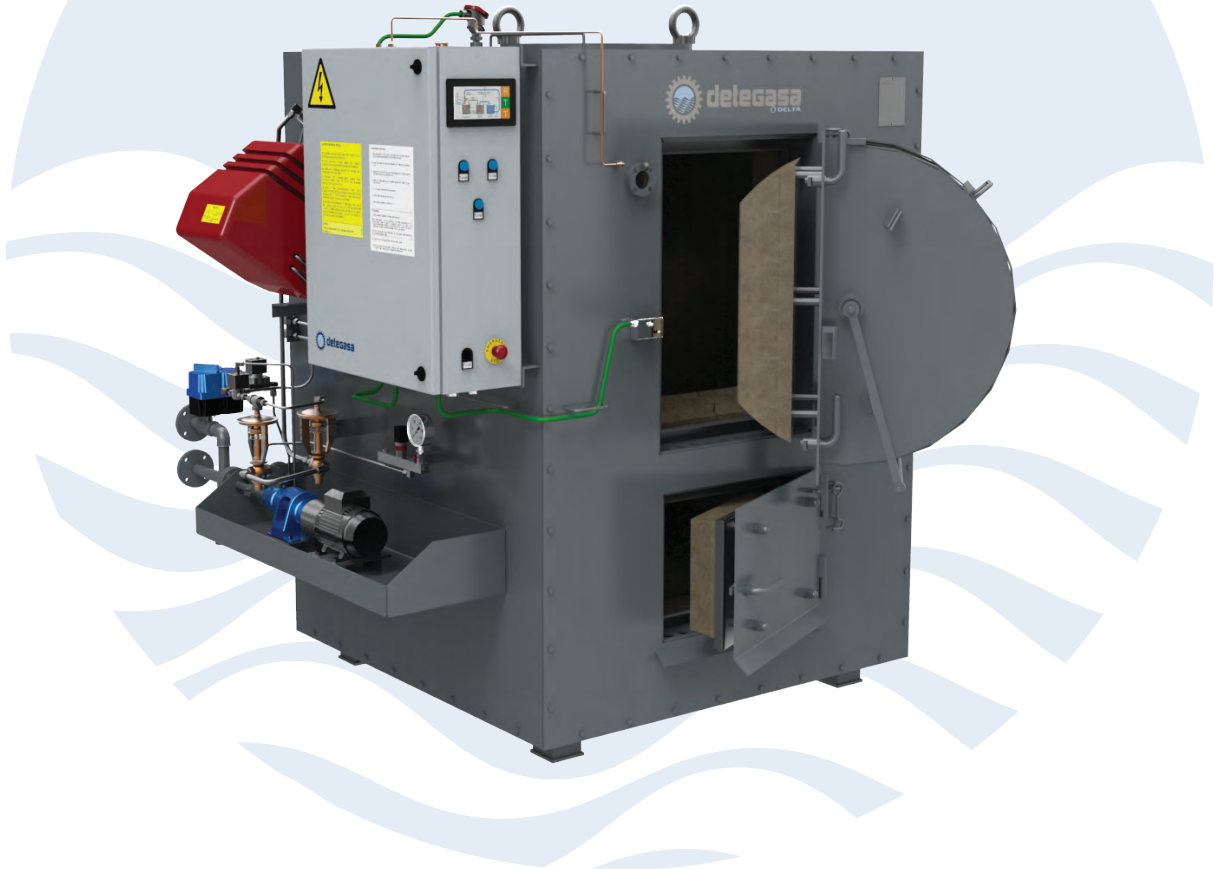


# Marine Incinerators

IMO MEPC 76(40) MED Type Approved



## Main Features & Advantages

- ⦿ Fully dismantlable for easy retrofitting.
- ⦿ Wide range of models available and broad list of references worldwide.
- ⦿ Total automatic control
- ⦿ Containerized solutions available upon request
- ⦿ Easy maintenance

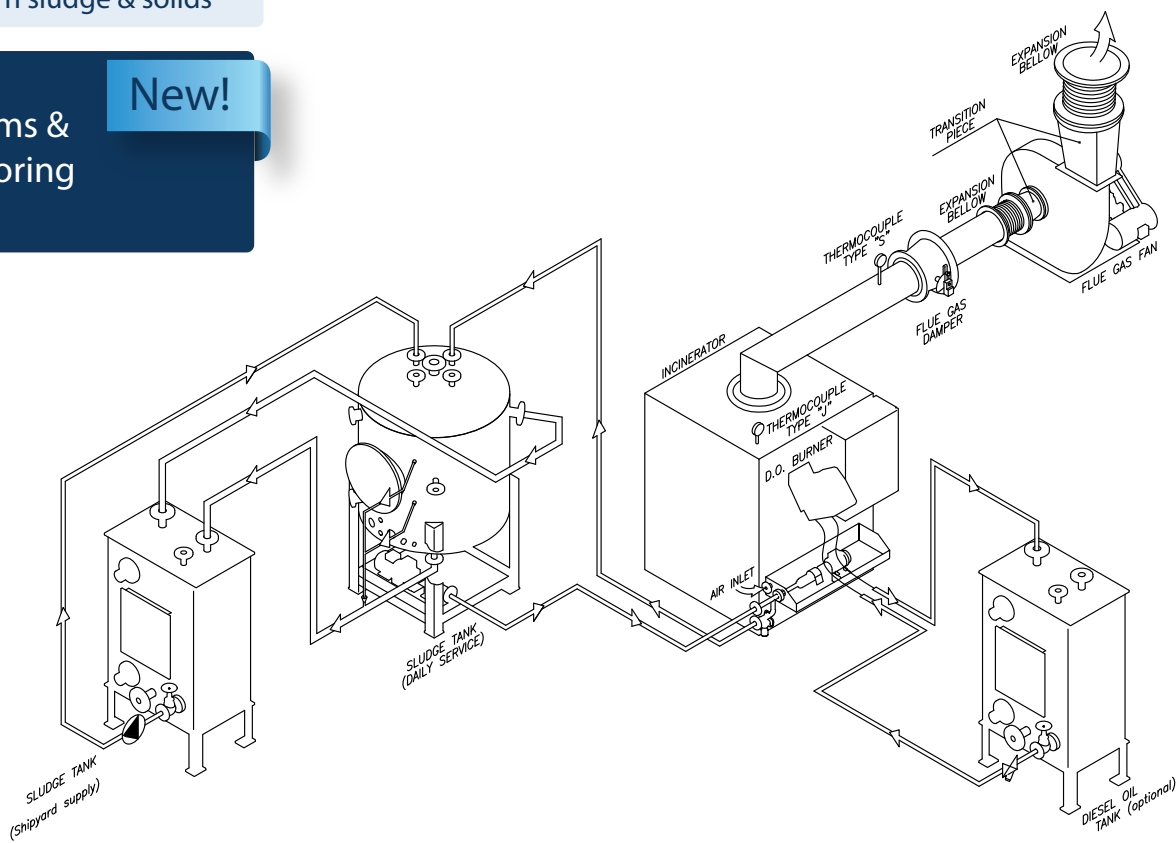
# Marine Incinerators

INCINERATOR MODELS	IRA-	IRLA-	IRA-	IRLA-	IRA-	IRLA-	IRA-	IRLA-	IRA-	IRLA-	IRA-	IRLA-	IRA-	IRLA-
IRA/IRLA-	10		18		30		50		65		80		100	
KCAL/H	100.000		180.000		300.000		500.000		650.000		800.000		1.000.000	
KW	116		209		349		581		756		930		1.163	
IMO Sludge (L/H)	-	13	-	23	-	39	-	65	-	84	-	103	-	130
Solid Waste (KG/H)	25		35		50		80		130		150		175	
MAX. Burner Consumption (kg/h)	8,5		14,8		14,8		20		30		40		55	
MAX. Electric Power (kw)	6,00	12,70	8,00	14,70	8,00	14,70	11,50	23,00	22,60	34,20	31,70	43,30	31,70	43,30
Aprox incinerator weight (kg)	1510	1550	1510	1550	2850	3110	2850	3110	5800	5850	5800	5850	7950	8000
Fan weight	205		230		230		350		397		545		600	

IRA- Models meant to burn only solids  
 IRLA- Meant to burn sludge & solids

Bilge water injection systems & Remote monitoring systems

**New!**



Capability to burn solids and sludge simultaneously

PLC Touch Screen Monitor

Simple and reliable operation

Large number of references in Offshore, Commercial and Navy vessels.

