

ESL

High-Efficiency Vertical In-line Centrifugal Pumps

DESMI ESL vertical in-line centrifugal pump is designed for special marine and offshore requirements in regard to:

- High efficiency
- Low NPSH
- Compact design
- Easy installation
- Low maintenance costs



Design Features

ESL pumps are single-stage centrifugal pumps equipped with mechanical shaft seal for maximum life and minimum energy loss.

Application areas

- Hot water circulation
- Fresh water circulation
- Refrigeration
- HVAC
- Hydrophore pump
- Cooling water

The pump can be equipped with an air-driven or electrically driven priming device.

Nominal diameter (DN)	25 to 100
Flow rate	Up to 225 m ³ /h (990 US gpm)
Head	Up to 65 m (213 ft)
Pressure	Up to 30 bar (435 psi)
Temperature	Up to 140°C (284°F)
Motor	Standard and EX motors
VFD	Direct or Bulkhead/Wall-mounted
ATEX approved.	

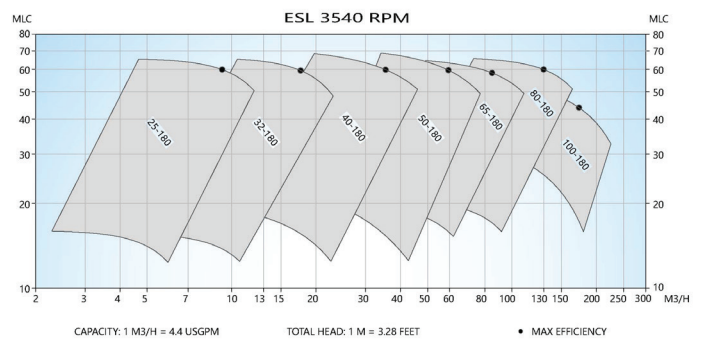
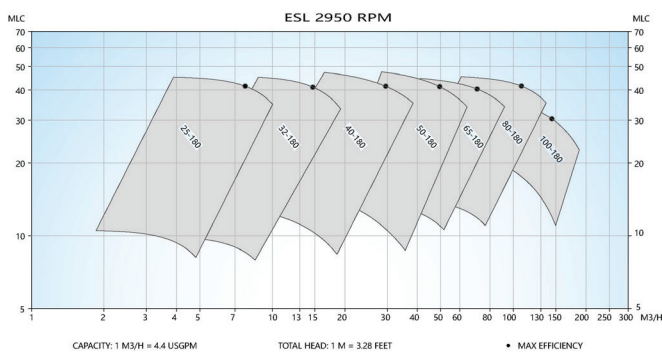
For more information on Marine & Offshore solutions, please visit www.desmi.com

DESMI

Material specification

Materials	A	D	S
Pump casing	Cast Iron (GG20)	Bronze (RG5)	St. steel (1.4436)
Impeller	Bronze (RG10)	Bronze (RG10)	St. steel (1.4436)
Sealing ring	Bronze (RG10)	Bronze (RG10)	St. steel (1.4436)
Rear cover	Cast iron (GG20)	Bronze (RG10)	St. steel (1.4436)
Shaft	Duplex St. steel (1.4460)	Duplex St. steel (1.4460)	Duplex St. steel (1.4460)
Shaft seal	Mechanical	Mechanical	Mechanical

The pumps are also available in other materials such as e.g. impeller in ductile iron and various bronze alloys and stainless steel.



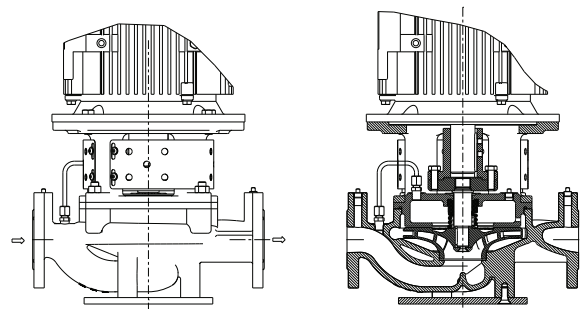
Design Details

ESL In-line Pumps with Ø 180 or Ø 190 Impeller

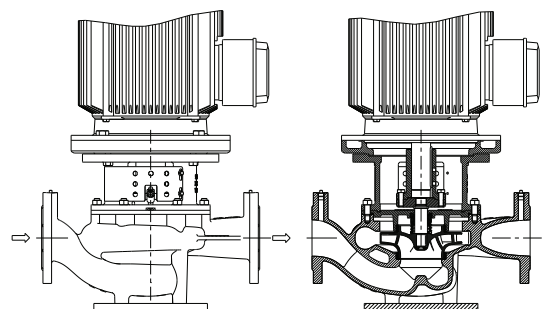
The dimension of the suction flange is identical with the dimension of the discharge flange. The line through inlet and outlet is flush with the centre line of the shaft. The pumps are equipped with one impeller wear ring.

Monobloc without Bearings

A sturdy standard pump for clean liquids. Compact design because the rear cover is part of the motor bracket. Dismantling of rotating parts is possible without removing the pump casing from the piping. The ESL in-line pump can be mounted horizontally on request.



ESL 25-32-40-50



ESL 65-80-100