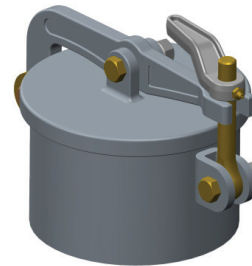


UMC-144 BAIER - Ullage Style: Round - 8" & 10"

The Ullage hatch is a strong and secure method of enclosing a tank compartment while still providing easy single bolt operation for inspection or measuring of cargo. Available in 8" and 10" diameters.

Features:

- Low cost - high strength cast steel construction.
- Cast Steel and Stainless Steel Dog handles (grease zerks Optional)
- Bronze tumble bolts for corrosion resistance and trouble free operation
- Bolts and nuts made from dissimilar metals to prevent galling and corrosion
- Simple Ullage arm hinge design allows for simple and clear access to port



Model Number	Description	Part Number	Clear Opening In. (mm)	Cutout Dimension in. (mm)	Autocad PDF/ DXF
UMC-144	8" Round Ullage w/ 7/8" Coaming	01242-102A	8 (203)	7.5 (190.5)	
UMC-144-5	8" Round Ullage w/ 5" Coaming	01242-104B	8 (203)	7.5 (190.5)	
UMC-569-5	10" Round Ullage w/ 5" Coaming	01243-101A	10 (254)	9.5 (241.3)	



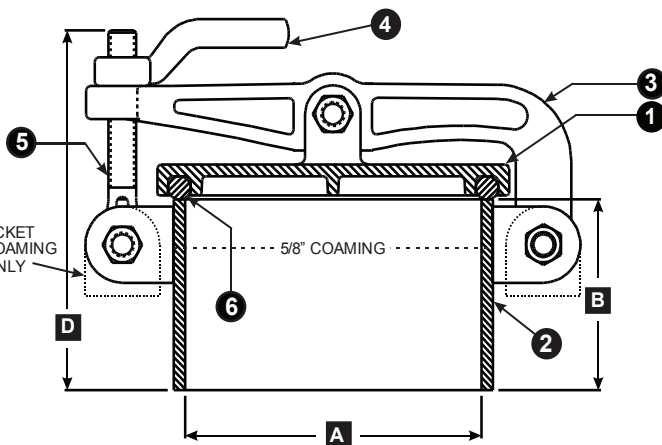
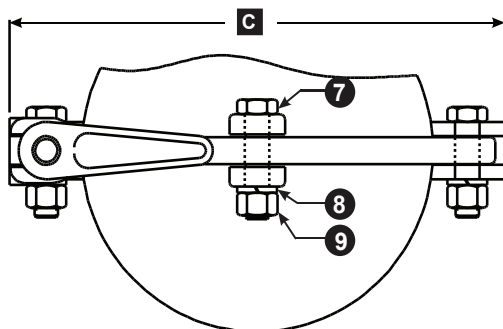
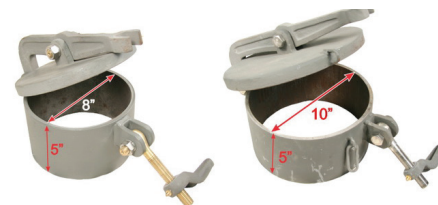
UMC-144-5 8" Steel Hatch with Stainless Steel Hardware

HATCH MATERIAL:

Steel (ASTM A36)
Painted Primer Grey

HARDWARE:

Tumble Bolt - Bronze
Dog Handle - Steel
Ullage Arm - Steel
Bolt 5/8-11 - Zinc Plated Steel
Nut 5/8-11 - Stainless Steel
Washer - Stainless Steel
Gasket - Nitrile Rubber



BILL OF MATERIAL: UMC-144

PC.NO.	DESCRIPTION	MATERIAL
1	COVER	STEEL
2	COAMING	STEEL
3	ULLAGE HANDLE	STEEL
4	DOG HANDLE	STEEL
5	TUMBLE BOLT	BRONZE
6	GASKET	NITRILE RUBBER
7	BOLT 5/8-11	ZINC PLATED STEEL
8	NUT 5/8-11	STAINLESS STEEL
9	WASHER 5/8	STAINLESS STEEL



OPTIONAL FLAME SCREEN
FOR 8" Ø & 10" Ø MODELS

Model Number	Part Number	DIMENSIONS INCHES (MM)				Weight LBS (KGS)
		A	B	C	D	
UMC-144	01242-102A	8" (203)	5/8" (16)	14" (356)	6.63" (168)	70(32)
UMC-144-5	01242-104B	8" (203)	5" (127)	14" (356)	9.44" (240)	70(32)
UMC-569-5	01243-101A	10" (254)	5" (127)	15.23"(387)	9.31" (236)	75(34)

1-800-455-3917
206-632-2441 (FAX)
sales@baiermarine.com

BAIER
Marine Company, Inc.

UNIVERSAL RAISED HATCH
SINGLE BOLT ULLAGE HATCH
8" & 10" ROUGH OPENING
MODEL 01242-102A - UMC-144
MODEL 01242-104B - UMC-144-5
MODEL 01243-101A - UMC-569-5

DWG. NO. UMC-144