

UMC-474 BAIER - Twist Lock Style: Round - Flush & Coaming

The Twist Lock hatch is a simple proven design for hatch enclosures. The twist engagement method for securing this hatch makes this the simplest hatch to operate. This hatch is made from high strength 3/8" cast steel with reinforced ribs. Built-in Lift-out handles are molded into the cover plate for convenience.

Features:

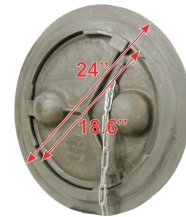
- Low cost - high strength cast steel construction
- Lift-out grab handles Molded into cover casting
- Reinforced steel ribs on cover to provide greater impact resistance
- Galvanized steel chain ensures the cover stays attached and will never get lost



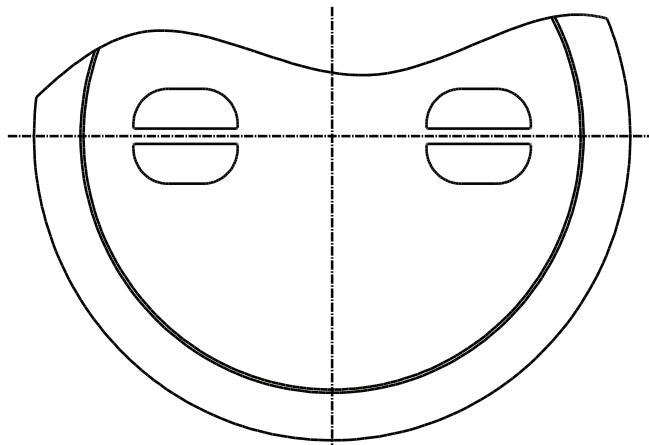
Model Number	Description	Part Number	Clear Opening In. (mm)	Cutout Dimension in. (mm)	Autocad PDF/DXF
UMC-474	Flush 18" Round Twist Lock Hatch	08640-101A	18.6 (472)	24 (610)	
UMC-474-5	Raised 18" Round Twist Lock Hatch	08641-101A	18.6 (472)	24 (610)	

HATCH MATERIAL:
Steel (ASTM A36)
Painted Primer Grey

HARDWARE:
Gasket - Nitrile Rubber
Chain - Galvanized Steel
Coaming* - Steel

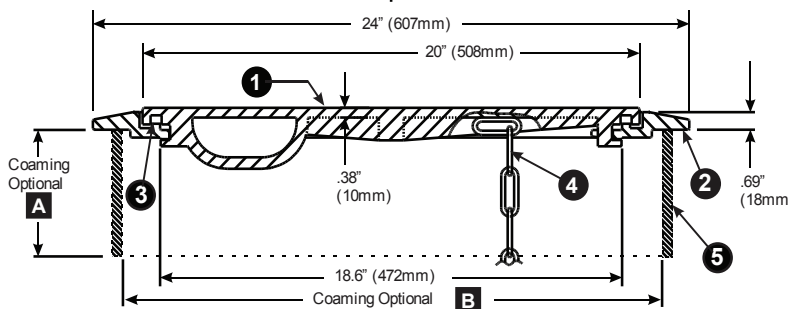


UMC-474 Cast Steel Hatch with Cast Steel Deck Ring



BILL OF MATERIAL: UMC-474

PC.NO.	DESCRIPTION	MATERIAL
1	COVER	STEEL
2	DECK RING	STEEL
3	GASKET	NITRILE RUBBER
4	CHAIN	STAINLESS STEEL
5	COAMING	STEEL



Model Number	Part Number	DIMENSIONS INCHES (MM)		Weight LBS (KGS)
		A	B	
UMC-474	08640-101A	N/A	N/A	85 (39)
UMC-474-5	08641-101A	5" (127)	21.75" (552)	118 (54)

BAIER Marine Company, Inc.
1-800-455-3917
206-632-2441 (FAX)
sales@baiermarine.com

UNIVERSAL FLUSH HATCH

STEEL TWIST LOCK HATCH
24" ROUND OVERALL DAIMETER
MODEL 08640-101A - UMC-474
MODEL 08641-101A - UMC-474-5

DWG. NO. UMC-474