

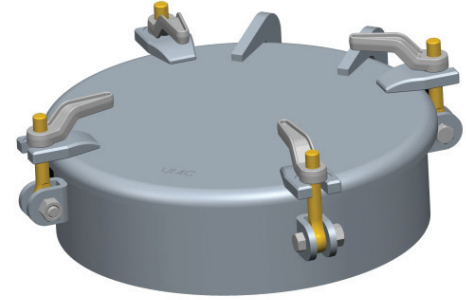
UMC-343-5 BAIER - Multi-Dog Style: Round - 4

Dog & 3 Dog

Multi-Dog Raised hatches are a strong and secure working enclosure system. They are universally used hardware on all kinds of commercial vessels from small workboats to ocean going cargo ships. Their simple design and quality steel construction help them meet the long range trouble free service requirements in the harshest environments.

Features:

- Low cost - high strength cast steel construction
- Cast Steel and Stainless Steel Dog handles (available with grease zerks optional)
- Bronze tumble bolts for corrosion resistance and trouble free operation
- Bolts and nuts made from dissimilar metals to prevent galling and corrosion



Model Number	Description	Part Number	Clear Opening In. (mm)	Cutout Dimension in. (mm)	Autocad PDF/ DXF
UMC-343-5	Raised 4 Dog 19" Round Watertight Hatch	01230-101A	19 (483)		
UMC-456-5	Raised 3 Dog 12" Round Watertight Hatch	03410-101A	12 (305)		

HATCH MATERIAL:

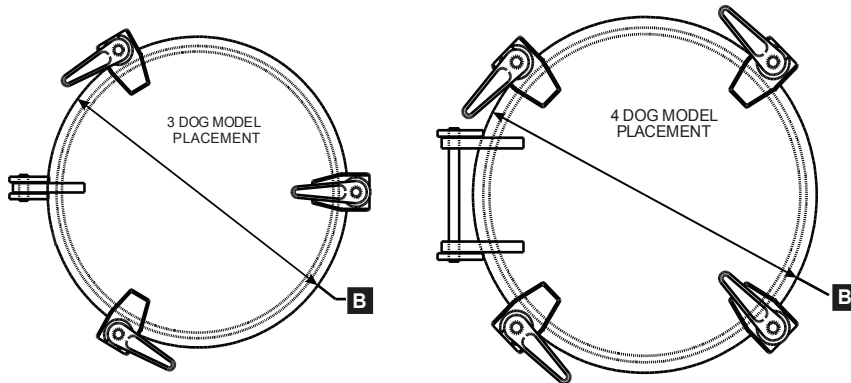
Steel (ASTM A36)
Painted Primer Grey

HARDWARE:

Tumble Bolt - Bronze
Dog Handle - Steel
Bolt 5/8-11 - Zinc Plated Steel
Nut 5/8-11 - Stainless Steel
Gasket - Nitrile Rubber

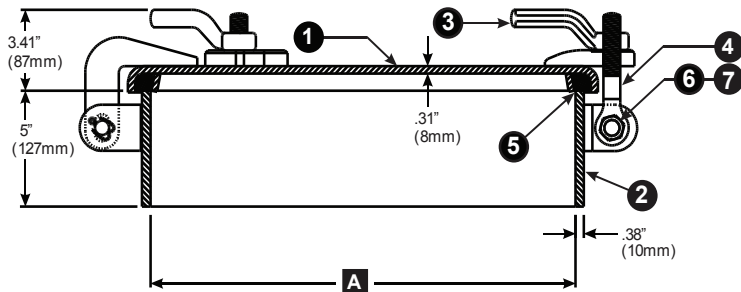


UMC-456-5 Steel Hatch 4-Dog



BILL OF MATERIAL: UMC-343

PC.NO.	DESCRIPTION	MATERIAL
1	COVER	STEEL
2	COAMING	STEEL
3	DOG HANDLE	STEEL
4	TUMBLE BOLT	BRASS
5	GASKET	NITRILE RUBBER
6	BOLT 5/8-11	ZINC PLATED STEEL
7	NUT 5/8-11	STAINLESS STEEL



Model Number	Part Number	DIMENSIONS INCHES (MM)		# OF DOGS	Weight LBS (KGS)
		A	B		
UMC-456-5	03410-101A	12" (305)	13.75" (349)	3 DOG	85 (39)
UMC-343-5	01230-101A	19" (483)	21" (533)	4 DOG	92 (42)

1-800-455-3917
206-632-2441 (FAX)
sales@baiermarine.com

UNIVERSAL RAISED HATCH
MUTI-DOG RAISED HATCH
22" ROUGH OPENING
MODEL 03410-101A - UMC-456-5
MODEL 01230-101A - UMC-343-5

DWG. NO. UMC-343