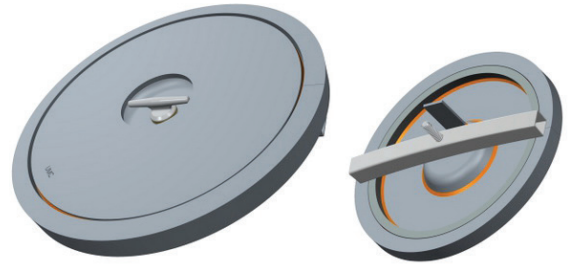


UMC-430 BAIER - T-Bolt Style: Round - 18" & 24"

This industry standard steel enclosure is based on the proven strongback style hatch and is operated by a single T-handle bolt. It easy operation facilitates its convenient use while maintaining a near flush profile.

Features:

- Made from high strength 3/8" steel for better impact resistance
- No tools required single bolt T-handle for secure engagement
- Stainless steel T-Handle and Brass Thread block uses dissimilar metals to prevent galling and ensure trouble free operation
- Nitrile rubber gaskets ensure water tight design



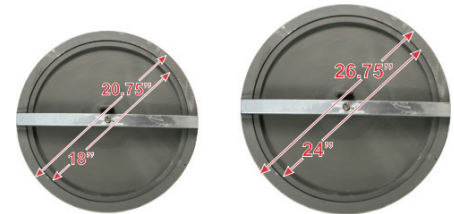
Model Number	Description	Part Number	Clear Opening In. (mm)	Cutout Dimension in. (mm)	Autocad PDF/DXF
UMC-430-18	Flush 18" T-Bolt Hatch	01210-101A	18 (457)	20.75 (527)	
UMC-430-24	Flush 24" T-Bolt Hatch	01220-101A	24 (508)	26.75 (679)	

HATCH MATERIAL:

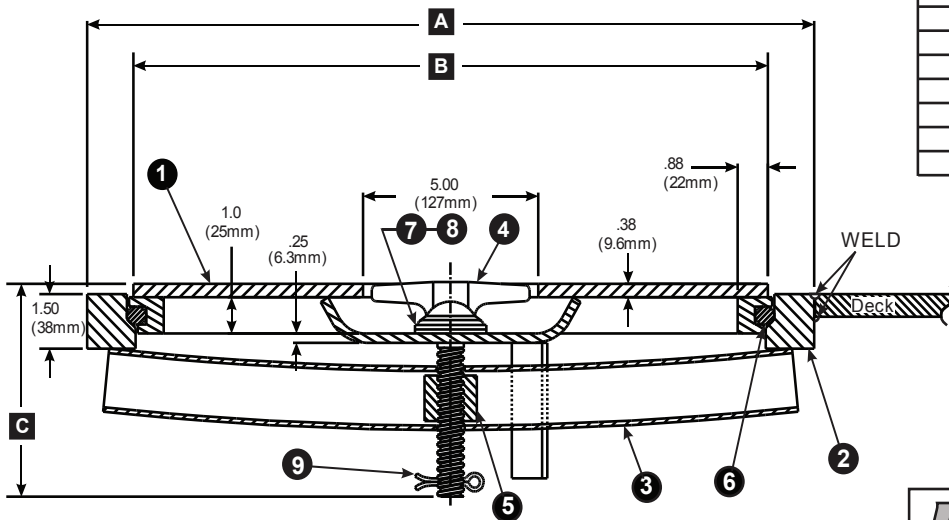
Steel (ASTM A36)
Painted Primer Grey

HARDWARE:

Tee Bolt - Stainless Steel
Thread Block - Brass
Strongback - Galvanized Steel
Gasket - Nitrile Rubber
Washer - Brass
Handle Gasket - Nitrile Rubber



UMC-430-18 Steel Hatch with Stainless Steel Hardware



BILL OF MATERIAL: UMC-430

PC.NO.	DESCRIPTION	MATERIAL
1	COVER	STEEL
2	DECK RING	STEEL
3	STRONGBACK	GALVANIZED STEEL
4	T-HANDLE	STAINLESS STEEL
5	NUT SQUARE	BRASS
6	GASKET	NITRILE RUBBER
7	WSHER	BRASS
8	HANDLE GASKET	NITRILE RUBBER
9	COTTER PIN	STAINLESS

Model Number	Part Number	DIMENSIONS INCHES (MM)			Weight LBS (KGS)
		A	B	C	
UMC-430-18	01210-101A	20.76 (527)	18.13 (460)	5.89 (150)	81 (37)
UMC-430-24	01220-101A	26.76 (679)	24 (610)	5.76 (150)	120 (55)

BAIER Marine Company, Inc.
 1-800-455-3917
 206-632-2441 (FAX)
 sales@baiermarine.com

UNIVERSAL FLUSH HATCH

SINGLE BOLT T-HANDLE STYLE
 18" & 24" ROUGH OPENING
 MODEL 01210-101A - UMC-430-18
 MODEL 01220-101A - UMC-430-24

DWG. NO. UMC-430