

BFHRT8 - Flush Hatch | Pull-up T-Handle | Round 8" | Aluminum

This popular strongback hatch design series adds the convenience of a built-in recessed Stainless Steel T-handle to the flush-mounted, quick release, lift-out hatch. The design is especially popular on aluminum boats, fishing and other workboats, as well as many U.S. Navy and U.S. and Canadian Coast Guard vessels.

FEATURES

Unique:

- Cast Hatch Cover (unique no grab handles)
- Stainless Steel Centerbolt and hardware
- Built-in Stainless Steel T-Handle used for quick engagement as well as lifting

Shared With Classic HEX-Bolt Series:

- Cast Strongback
- Cast / fabricated matching Deck Ring
- Neoprene Cover Gasket and Washers (Buna-N optional)
- Every unit shipped with an underside escape turning bar for safety
- Turning wheel optional



STRENGTH, SIMPLICITY and CONVENIENCE

The T-Handle Strongback system has only three moving parts to secure the hatch cover to the deck. Like the Classic HEX it is simple, strong, reliably watertight, infinitely adjustable from topside, and easily serviced (parts are readily available and replaced in the field).

MATERIALS

The T-Handle Strongback hatch cover product line is available only in cast aluminum. The deck rings used are the same as the Classic HEX and are available in galvanized mild steel (for welding into steel decks), or cast aluminum (for welding into aluminum decks or bolting to fiberglass or wood decks). Stainless deck rings are available by special order.

Model Number	Cutout Dimension in. (mm)	Hatch Material	Autocad PDF/DXF
BFHRT8A/A		Aluminium / Aluminium	BFHRT8TH-A DXF (ZIP)
BFHRT8A/S		Aluminium / Steel	

When ordering please specify:

Cover Material:
cast aluminum only

Ring Material:
cast aluminum,
galvanized steel,
or stainless steel.

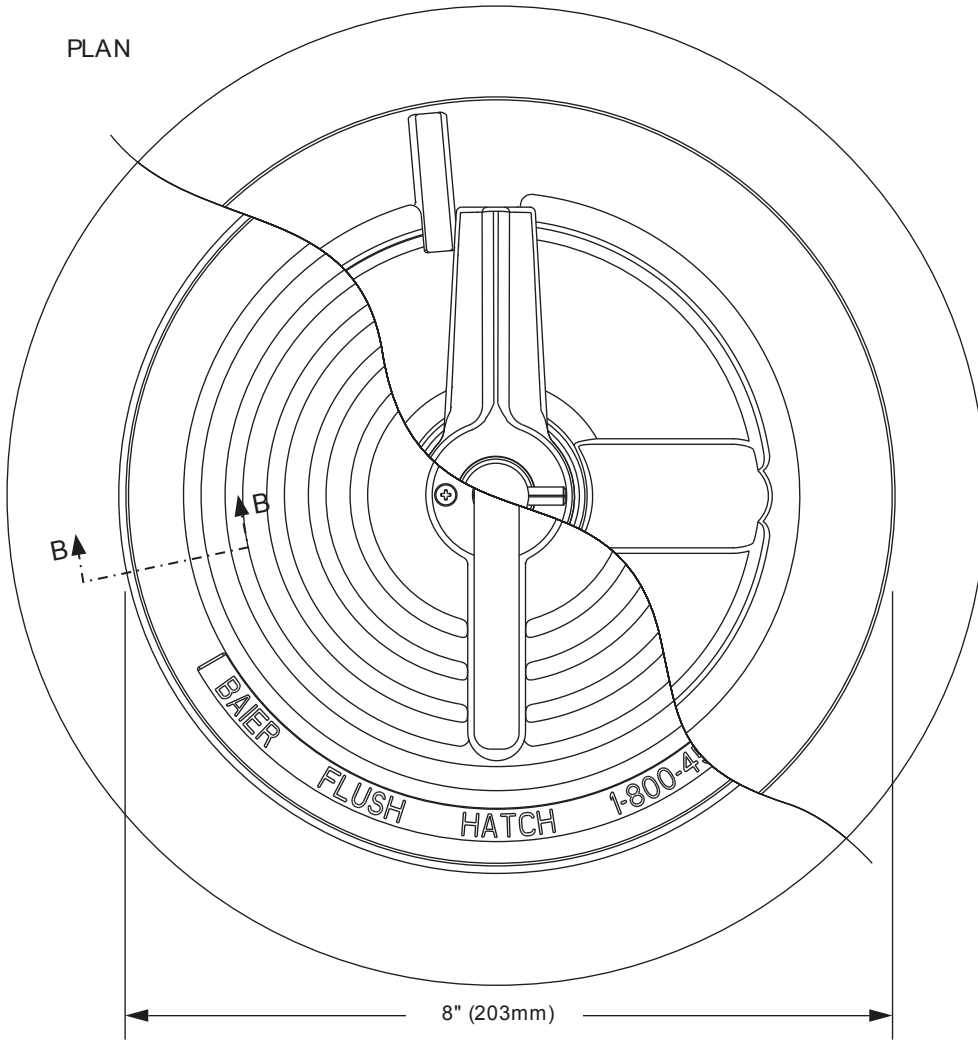


Hatch Covers Available Separately

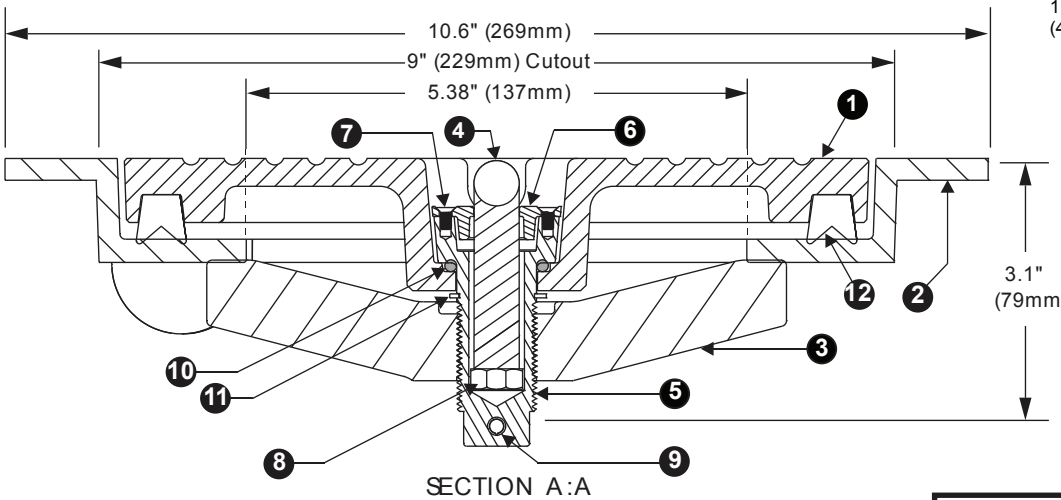


BFHRT8A/A with Cast Aluminum Deck Ring

PLAN



8" (203mm)



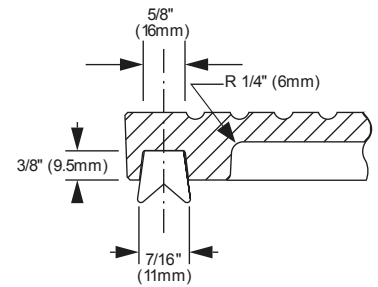
SECTION A:A

BILL OF MATERIAL: 08863-110A

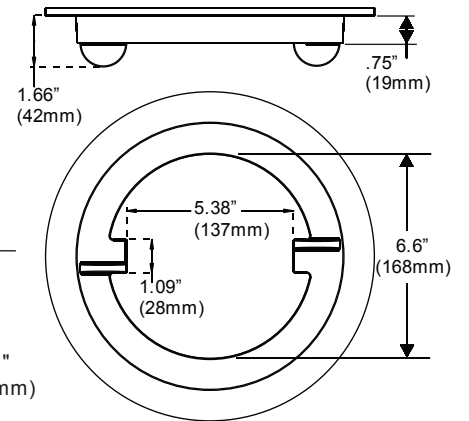
#	DESCRIPTION	MAT	P/N
1	COVER	AL	08863-108A
2	DECK RING	AL,ST	08863-213A,B
3	STRONGBACK	AL	08863-217A
4	T-HANDLE	SS	08863-402A
5	CENTER BOLT	SS	08863-216A
6	COVER PLATE	SS	WITH T-HNDL
7	(4) SCREW M3 x .5	SS	08863-803A
8	BOLT, M8	SS	WITH T-HNDL
9	PIN 5mm x 35 mm	SS	08863-802A
10	O-RING	NEO	08863-706A
11	RETAINER RING	SS	08863-806A
12	GASKET	NEO	08863-707A

MATERIAL KEY	NEO - NEOPRENE
AL - ALUMINUM	ZNST - ZINC PLATED ST
ST - GALV. STEEL	BR - BRONZE
SS - STAINLESS STEEL	

NOTE: BUTT WELD ON STEEL AND ALUMINUM DECKS.
BOLT DOWN ON WOOD AND FIBERGLASS DECKS
(FLANGES SUPPLIED BLIND - SHIPYARD TO
DRILL TO SUIT)



GASKET GROOVE,
SECTION B:B



HATCH WEIGHTS LBS. (KGMS)		
Model Number	BFHRTH8	
Material	AL	ST
Cover	3.5 (1.6)	N/A
Deck Ring	3 (1.4)	5.5 (2.5)

BAIER Marine Company, Inc.
1-800-455-3917
206-632-2441 (FAX)
sales@baiermarine.com

BAIER FLUSH HATCH
LIFT-OUT PLAIN DOGGED TYPE
WITH BUILT-IN T-HANDLE
TYPE "C" POSITIVE LOCKING
MODEL BFHRTH8

DWG. NO. 08863-110A