

### BFHRT20 - Flush Hatch | Pull-up T-Handle | Round 20" | Aluminum

This popular strongback hatch design series adds the convenience of a built-in recessed Stainless Steel T-handle to the flush-mounted, quick release, lift-out hatch. The design is especially popular on aluminum boats, fishing and other workboats, as well as many U.S. Navy and U.S. and Canadian Coast Guard vessels.

#### FEATURES

##### Unique:

- Cast Hatch Cover (unique no grab handles)
- Stainless Steel Centerbolt and hardware
- Built-in Stainless Steel T-Handle used for quick engagement as well as lifting

##### Shared With Classic HEX-Bolt Series:

- Cast Strongback
- Cast / fabricated matching Deck Ring
- Neoprene Cover Gasket and Washers (Buna-N optional)
- Every unit shipped with an underside escape turning bar for safety
- Turning wheel optional



#### STRENGTH, SIMPLICITY and CONVENIENCE

The T-Handle Strongback system has only three moving parts to secure the hatch cover to the deck. Like the Classic HEX it is simple, strong, reliably watertight, infinitely adjustable from topside, and easily serviced (parts are readily available and replaced in the field).

#### MATERIALS

The T-Handle Strongback hatch cover product line is available only in cast aluminum. The deck rings used are the same as the Classic HEX and are available in galvanized mild steel (for welding into steel decks), or cast aluminum (for welding into aluminum decks or bolting to fiberglass or wood decks). Stainless deck rings are available by special order.

Model Number	Cutout Dimension in. (mm)	Hatch Material	Autocad PDF/DXF
BFHRT20A/A		Aluminium / Aluminium	<a href="#">BFHR20THA-A DXF (ZIP)</a>
BFHRT20A/S		Aluminium / Steel	<a href="#">BFHR20THA-S DXF (ZIP)</a>
BFHRT20A/SS		Aluminium / Stainless Steel	<a href="#">BFHR20THA-S DXF (ZIP)</a>



BFHRT20A/A with Cast Aluminum Deck Ring

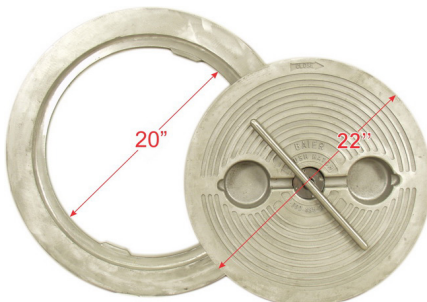


BFHRT20A/S with Galvanized Steel Deck Ring

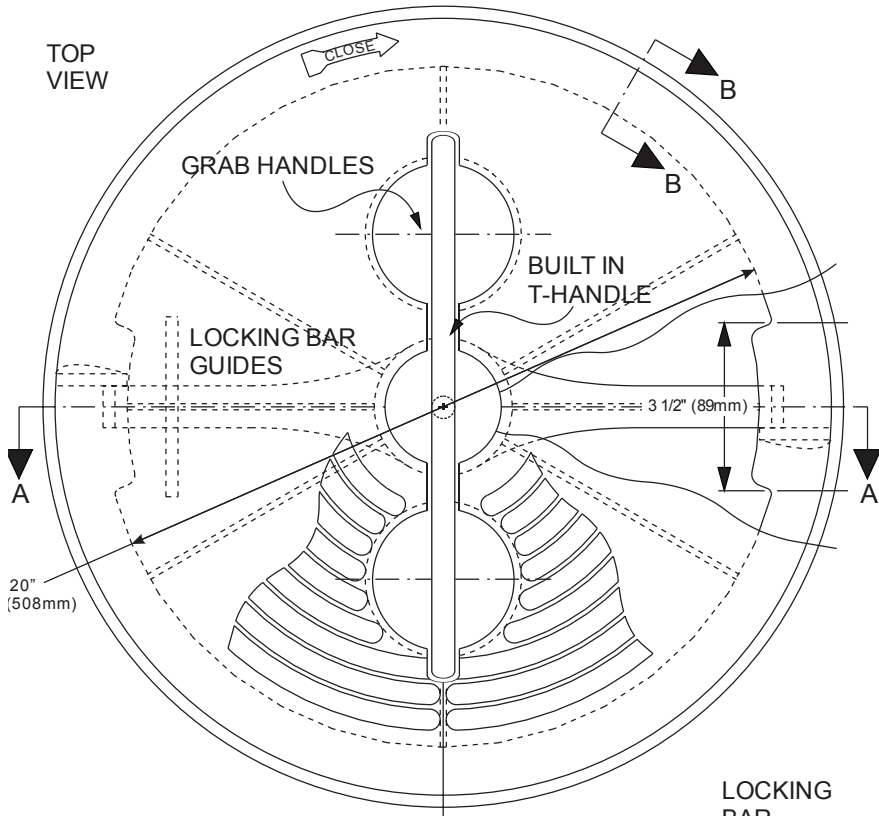
When ordering please specify:

Cover Material: cast aluminum only

Ring Material: cast aluminum, galvanized steel, or stainless steel.



Hatch Covers Available Separately

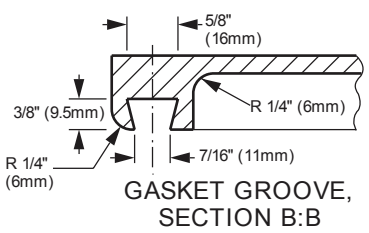
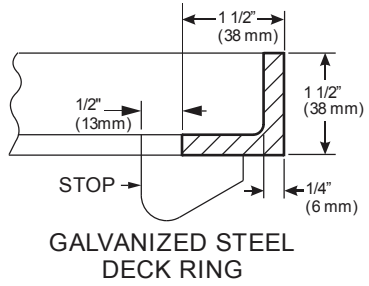
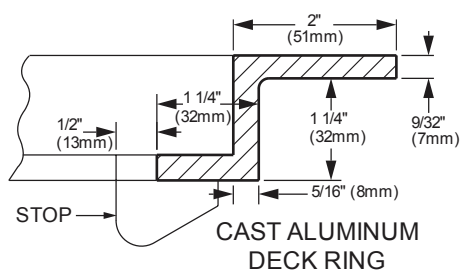
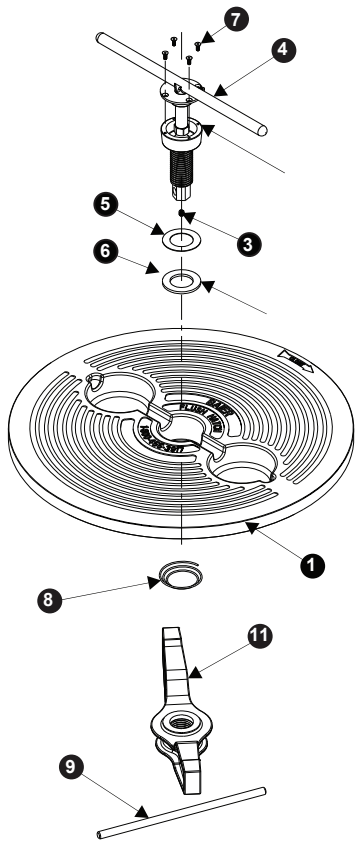
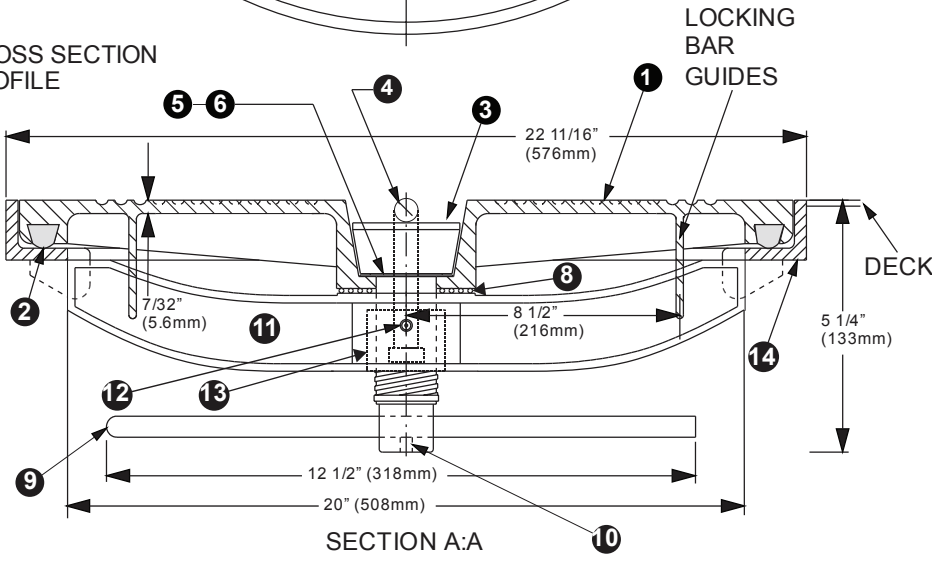


**BILL OF MATERIAL: 08861-131**

#	DESCRIPTION	MAT	P/N
Cover Kit (parts & kits below AL)			08861-132A
1	COVER	AL	08861-133A
2	GASKET	NEO	08861-702A
Centerbolt Kit (parts below)			UP-CB-THNDL-SS
3	BOLT (1 1/2" Ø)	SS	08861-214A
4	T-HANDLE KIT	SS	08862-117A
5	WASHER	SS	08861-206A
6	WASHER	NEO	08861-701A
7	(4) SCREW 10-24x.5	SS	08861-801A
8	SPRING	SS	08861-805A
9	ROD (1/2" Ø)	ST	08862-205A
10	ALLEN SET SCREW	SS	06122-801B
Strongback Kit (parts below AL)			BSB20TH-A
11	STRONGBACK	AL	08861-138A
12	LUBE ZERK	ZNST	08790-803A
13	THREADED INSERT	BR	08861-209B
14	DECK RING AL	AL	08861-233A
14	DECK RING ST	ST	08861-297A
14	DECK RING SS	SS	08861-297C
14	DECK RING BLACK	SB	08861-297B

MATERIAL KEY	
SS - STAINLESS STEEL	ZNST - ZINC PLATED ST
AL - ALUMINUM	BR - BRONZE
ST - GALV. STEEL	SB - BLACK STEEL
NEO - NEOPRENE	

**CROSS SECTION PROFILE**



IMPORTANT: WHEN ORDERING, PLEASE SPECIFY OUTSIDE DIAMETER (C) OR CLEAR OPENING (D). UNITS ARE IDENTIFIED BY CLEAR OPENING.

HATCH WEIGHTS LBS. (KGMS)		
Model Number	BFHRTH20	
Material	AL	ST
Cover	30 (13.6)	N/A
Deck Ring	11 (5)	11 (5)

**BAIER** Marine Company, Inc.  
 1-800-455-3917  
 206-632-2441 (FAX)  
 sales@baiermarine.com

**BAIER FLUSH HATCH**  
 LIFT-OUT PLAIN DOGGED TYPE  
 WITH BUILT-IN T-HANDLE  
 TYPE "C" POSITIVE LOCKING  
**MODEL BFHRTH20**

DWG. NO. 200