

# Atlas 2400 (2400kw) SL M

no picture available

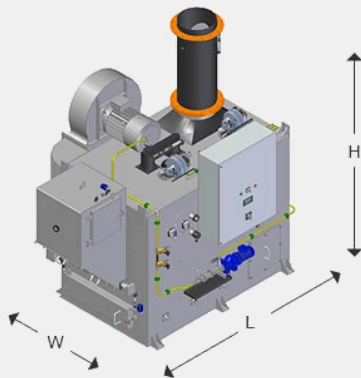
The 1500 SL M is a large incinerator for burning solid and liquid waste with a high water content, (above 50%), suitable for very big merchant vessels, and where no waste sluice is required.

*Flue gas outlets are not available for this incinerator type.*

## SPECIFICATIONS

## DATA

Combustion Capacity (kW)	2400
Combustion Capacity (kcal/h)	2.000.000
Combustion Capacity Solid Waste (IMO waste specification)	500 L/charge
Combustion Capacity Liquid Waste	200 l/h at 0% water content
(IMO standard is 20% water content)	270 l/h at 20% water content 400 l/h at 50% water content



## INCINERATOR DIMENSIONS

Width	2127 mm
Height	2952 mm
Length	2910 mm

### TANK DIMENSIONS

4000 SP

Width 1813 mm

Height 1670 mm

Length 2302 mm

